

# BRAVO SNORKEL



## MERCEDES SPRINTER

VARIANT: W907 / 910 (2018 - )

REF: SMST

FITMENT SIDE: **Left**

### LINEAR LOW DENSITY POLYETHYLENE RESINE



LL 8446 is a linear low density butene copolymer designed to offer excellent processability, whiteness, and fast grinding rate. This UV stabilized resin is ideally suited for applications that require excellent dimensional control and low warpage.

### PROPERTIES

#### Additive

Long Term UV-8 Stabilizer

#### Density

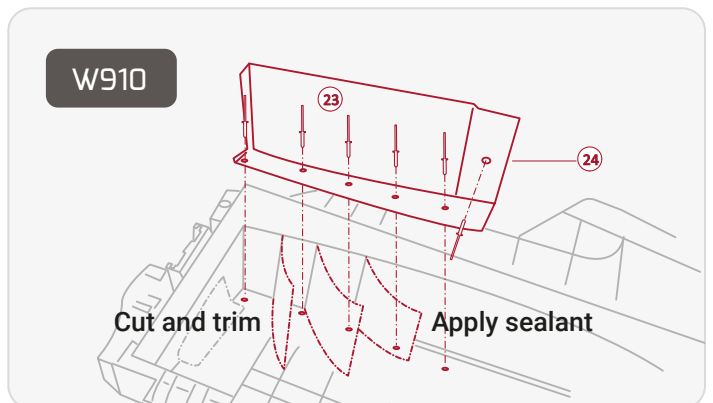
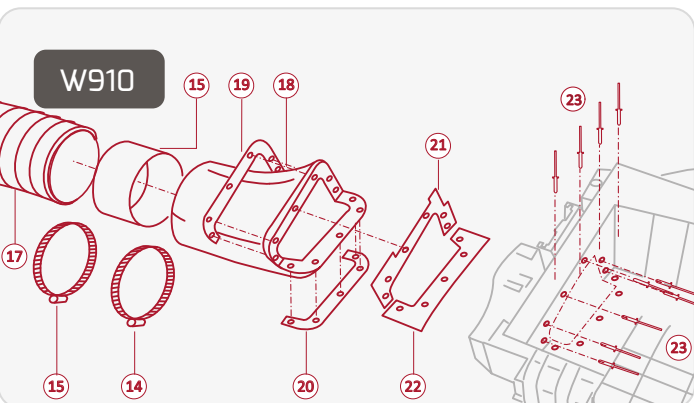
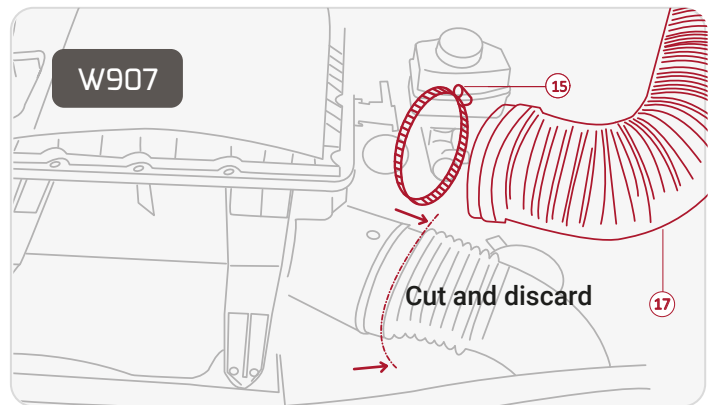
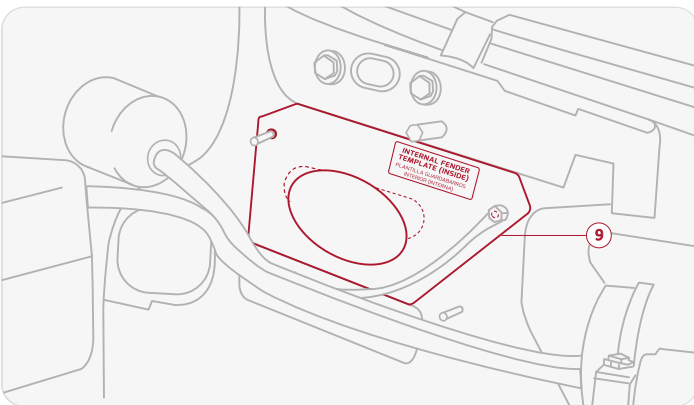
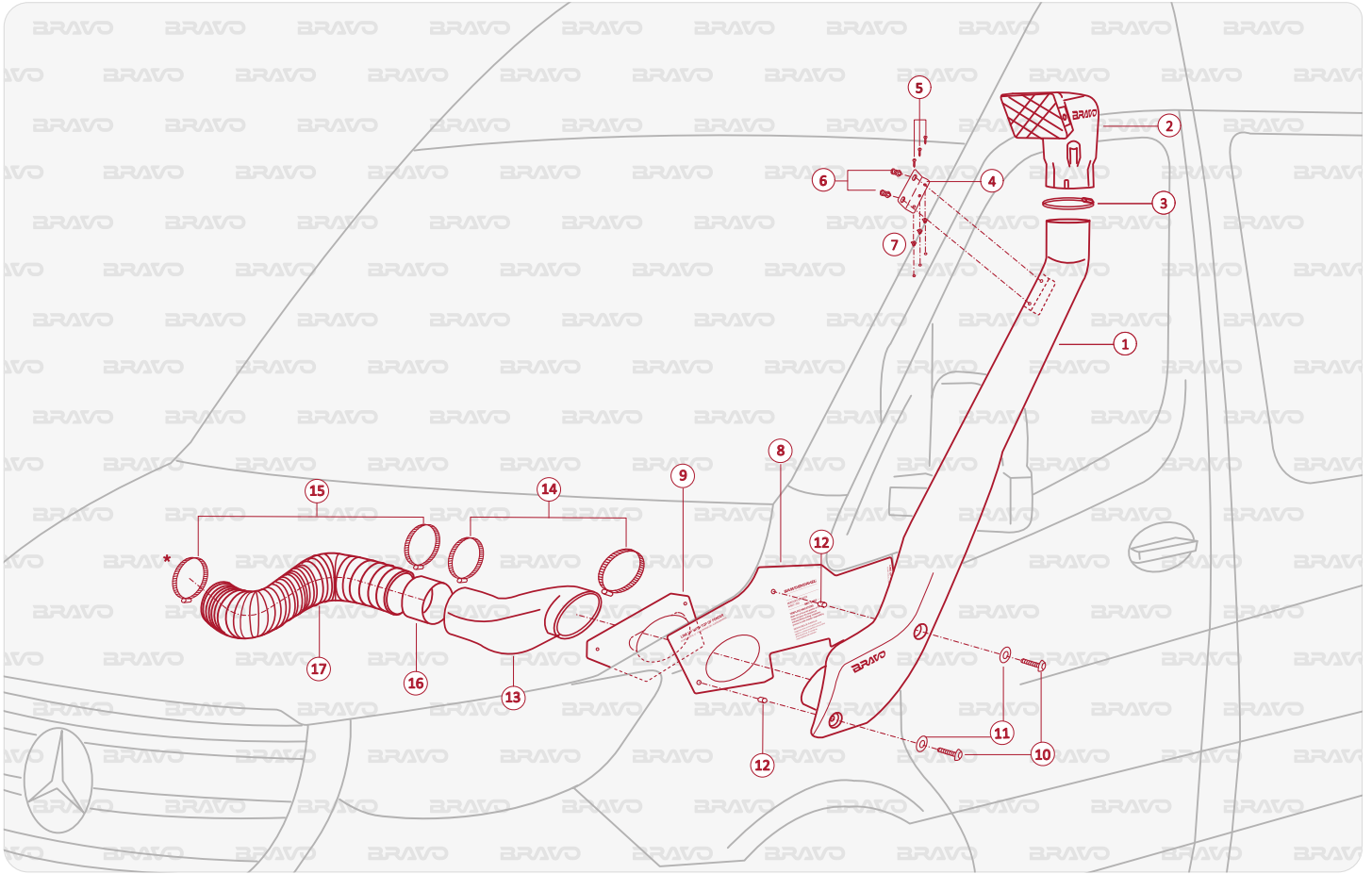
0.936 g/cm<sup>3</sup> (Based on ISO 1183)

#### Melt Index (190°/2.16 Kg)

5.0 g/10min (Based on ISO 1183)

PART	DESCRIPTION	QTY	
1	Snorkel body	x1	
2	Snorkel head	89 mm / 3,5"	x1
3	Black clamp	78 - 101 mm	x1
4	Bracket upper mounting		x1
5	Screw	4 x 16 mm	x3
6	SEMS bolt	M6 x 14 mm	x2
7	Nylon insert		x3
8	Installation template		x1
9	Inner cutting template		x1
10	Allen screw	M6 x 30 mm	x2
11	Washer	6 x 20 mm	x2
12	Rivnut M6 x 14 mm		x2

PART	DESCRIPTION	QTY	
13	Rubber duct connecting	x1	
14	Clamp	90 - 110 mm	x3
15	Clamp	80 - 100 mm	x2
16	Metal ring	89 mm ED	x2
17	Flexible hose	89 mm	x1
18	Rubber duct connecting		x1
19	Metal U bracket		x1
20	Metal U bracket		x1
21	Filter cutting template		x1
22	Filter cutting template		x1
23	Rivet	4 mm	x16
24	Filter plate		x1



Installation process is under installer's responsibility.