



**FROM CONCEPT TO USER**

---

**LRPT114**

Treeslider

**Land Rover**

**Technical Data**

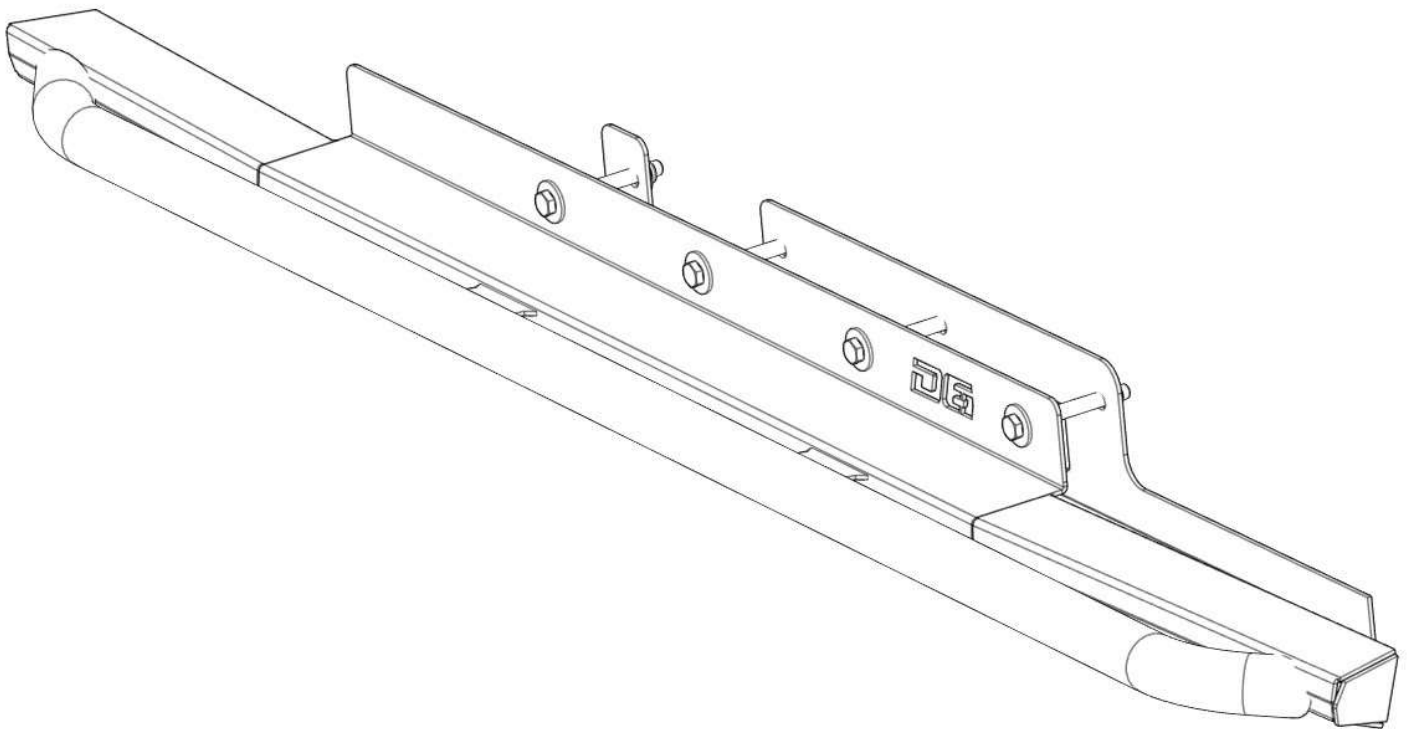
---

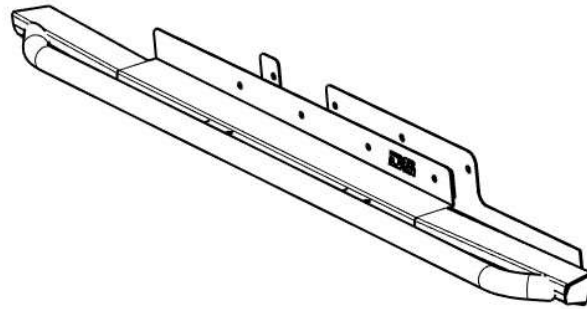
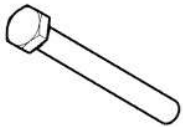
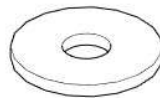

Material      Steel S275JR EN10025-2  
Thickness    3 mm  
Finish        Textured Black Powder Coating

**Vehicle Compatability**

---

Land Rover Discovery 1 3p



**Checklist:****Treeslider** 2x (RH / LH)**M10x90** 8x**M10** 16x**M10** 8x**Plastic cover M10** 8x**Tools required:** 17

**Fitting instructions:**