

# BRAVO SNORKEL



## VOLKSWAGEN CRAFTER / MAN TGE

VARIANT: (2017 - )

REF: **SVCR**

FITMENT SIDE: **Right**

### LINEAR LOW DENSITY POLYETHYLENE RESINE



LL 8446 is a linear low density butene copolymer designed to offer excellent processability, whiteness, and fast grinding rate. This UV stabilized resin is ideally suited for applications that require excellent dimensional control and low warpage.

### PROPERTIES

#### Additive

Long Term UV-8 Stabilizer

#### Density

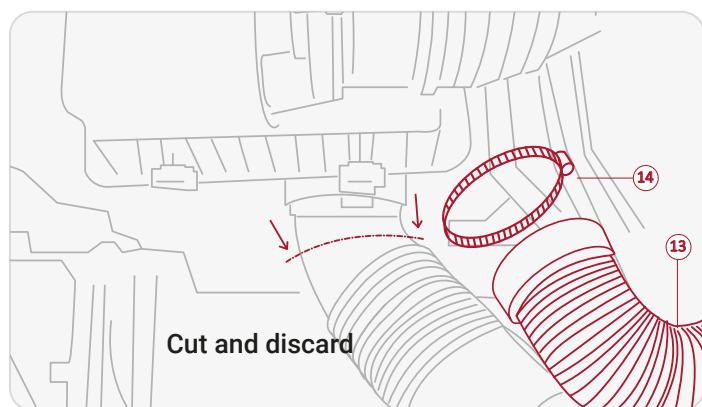
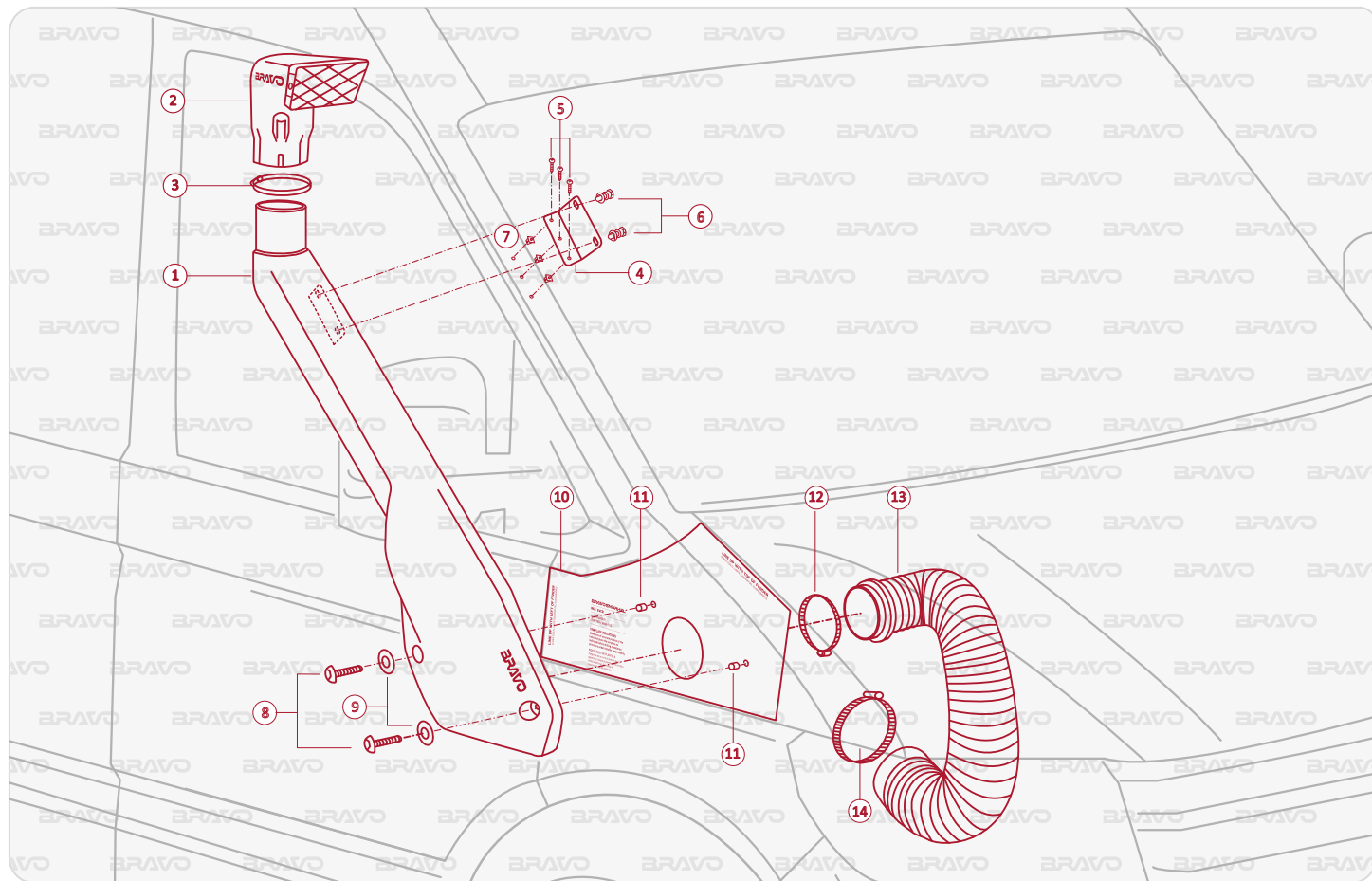
0.936 g/cm<sup>3</sup> (Based on ISO 1183)

#### Melt Index (190°/2.16 Kg)

5.0 g/10min (Based on ISO 1183)

PART	DESCRIPTION	QTY
1	Snorkel body	x1
2	Snorkel head 89 mm / 3,5"	x1
3	Black clamp 78 - 101 mm	x1
4	Bracket upper mounting	x1
5	Screw 4 x 16 mm	x3
6	SEMS bolt M6 x 14 mm	x2
7	Nylon insert	x3
8	Allen screw M6 x 30 mm	x2
9	Washer 6 x 20 mm	x2
10	Installation template	x1
11	Rivnut M6 x 14 mm	x2
12	Clamp 80 - 110 mm	x1

PART	DESCRIPTION	QTY
13	Flexible hose 89 / 102 mm	x1
14	Clamp 100 - 120 mm	x1



Installation process is under installer's responsibility.