

# START HERE! READ ME FIRST

Don't be a hero and muscle through this installation without reading these fitting instructions first! Improper installation of this gear may void certain aspects of your warranty.

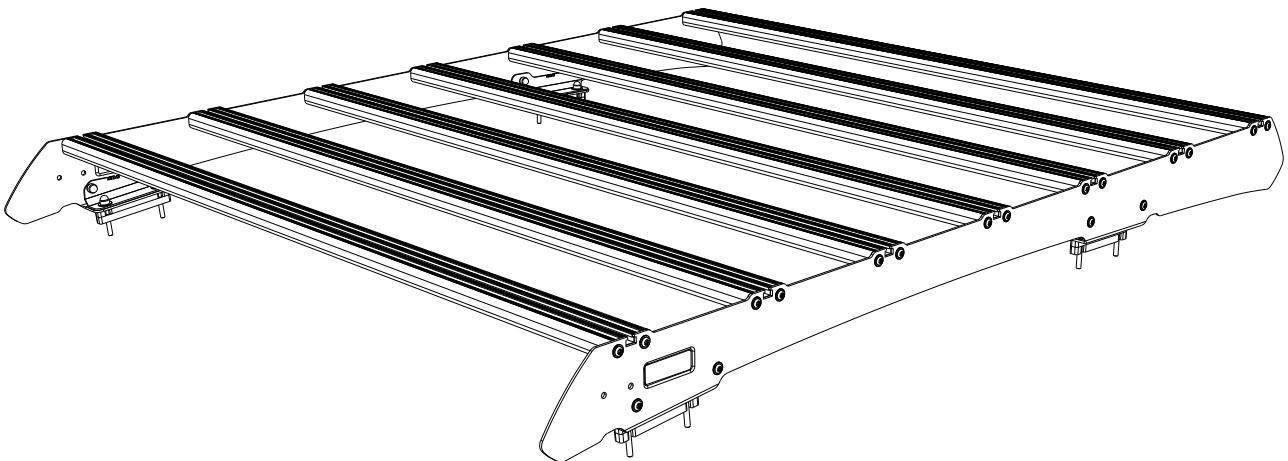
Before you begin, take a moment and open all your Front Runner rack kit boxes and gather the assembly instructions for the various components.

A complete kit will contain:

1. A Front Runner Slimsport kit

This document will guide you through the assembly of the mounting system and assist you in fitting the roof rack tray or load bars to your specific vehicle.

Please refer to the next page for a list of all the components, quantities and tools required.



## IMPORTANT WARNING!

IT IS CRITICAL THAT ALL FRONT RUNNER PRODUCTS BE PROPERLY AND SECURELY ASSEMBLED AND ATTACHED TO YOUR VEHICLE. IMPROPER ATTACHMENT COULD RESULT IN AN AUTOMOBILE ACCIDENT, AND COULD CAUSE SERIOUS BODILY INJURY OR DEATH. YOU ARE RESPONSIBLE FOR ASSEMBLING AND SECURING ALL FRONT RUNNER PRODUCTS TO YOUR VEHICLE, CHECKING THE ATTACHMENTS PRIOR TO USE, AND PERIODICALLY INSPECTING THE PRODUCTS FOR ADJUSTMENT, WEAR AND DAMAGE. THEREFORE, YOU MUST READ AND UNDERSTAND ALL OF THE INSTRUCTIONS AND PRECAUTIONS SUPPLIED WITH YOUR FRONT RUNNER PRODUCT PRIOR TO INSTALLATION OR USE. IF YOU DO NOT UNDERSTAND ALL OF THE INSTRUCTIONS AND CAUTIONS, OR IF YOU HAVE NO MECHANICAL EXPERIENCE AND ARE NOT THOROUGHLY FAMILIAR WITH THE INSTALLATION PROCEDURES, YOU SHOULD HAVE THE PRODUCT INSTALLED BY A PROFESSIONAL INSTALLER OR OTHER QUALIFIED PERSONNEL.

**NOTE:** Front Runner will not be responsible for any damage caused by the failure to install the product according to these instructions.

Please call us if you have any questions about the installation of this product.



# 1 GET ORGANIZED

## IN THE BOX

1	2 X	Foot Rail 1 LH + 1 RH
2	2 X	Stiffner Plate 01 1 LH + 1 RH
3	2 X	Stiffner Plate 02 1 LH + 1 RH
4	8 X	Button Head Flange M6x16
5	8 X	M6 Nyloc Nut
6	16 X	M6 Nut Cap
7	7 X	Slimsport Slat
8	28 X	Thread Forming Screw M6x25
9	8 X	Flat Washer M6x19x1
10	8 X	M6 Spring Washer
11	8 X	M6x50 Hex Bolt
12	4 X	Spacers
13	2 X	M6 Nut Plate

## TOOLS NEEDED



13mm  
10mm



Tin snips



Sealant



Marker



4mm  
7mm



Anti-rust



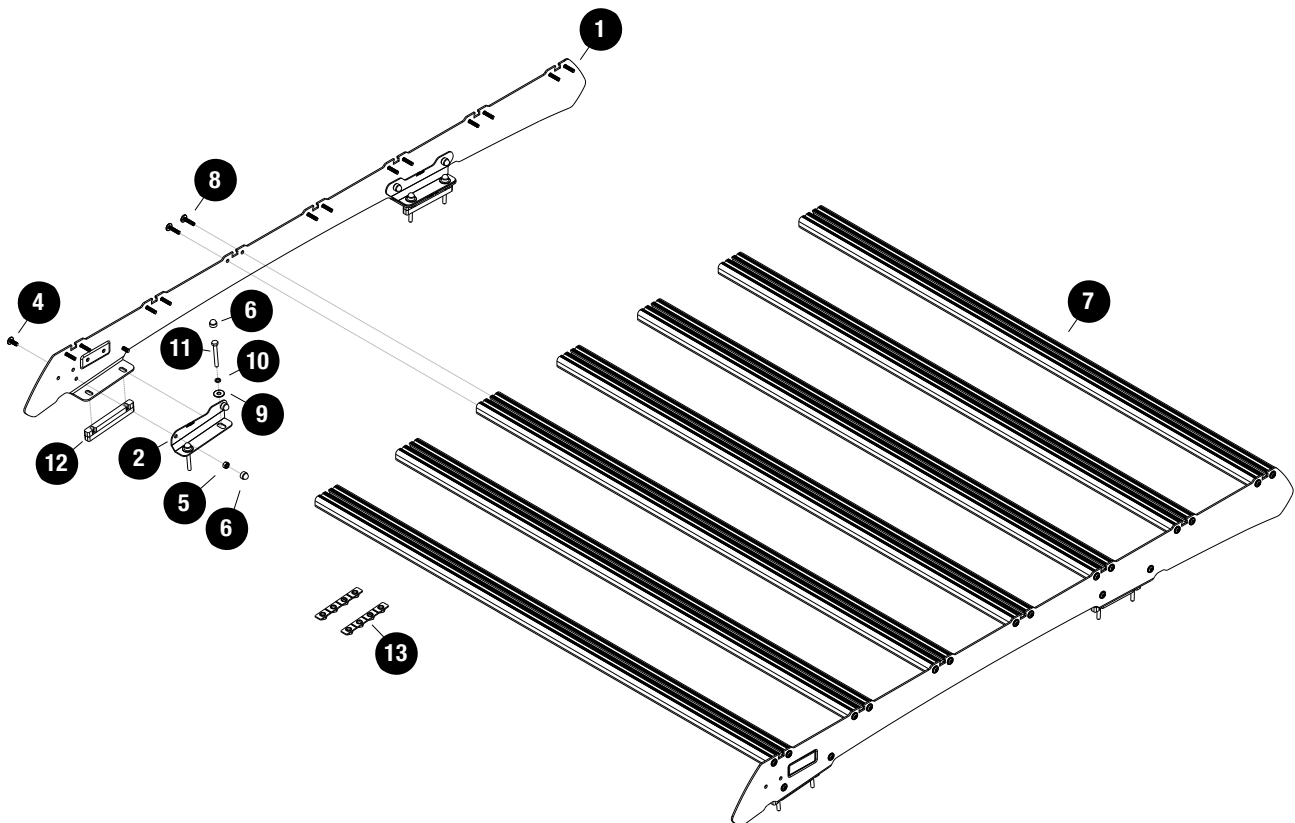
Torx  
T30



Cordless  
Driver

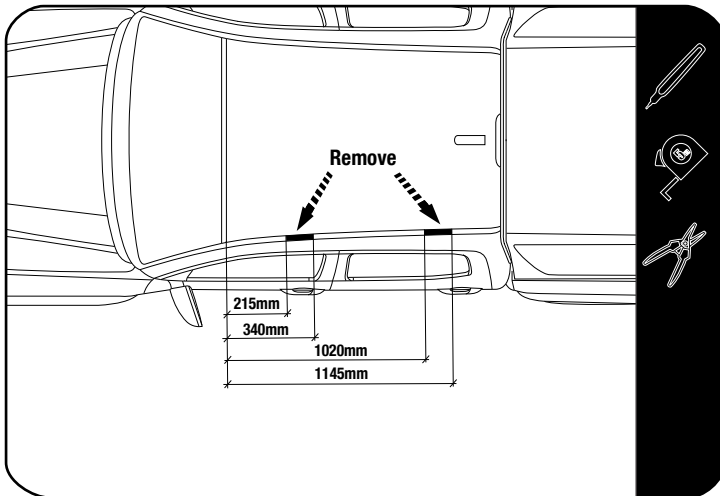


Oil / Anti-Seize



## FIT AND SECURE TO MODELS WITH REAR ANTENNA (2022 - CURRENT)

2.1



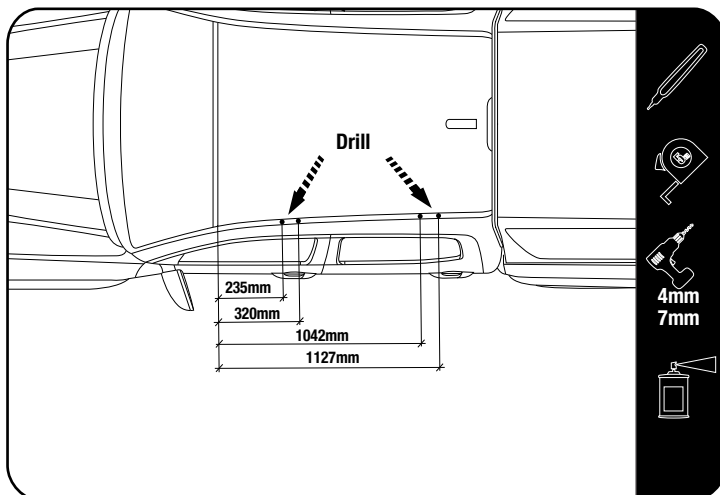
**THIS INSTALLATION IS NOT SUITABLE FOR MODELS WITH FRONT ANTENNA. IF YOUR VEHICLE HAS A FRONT MOUNTED ANTENNA, PROCEED TO 2.3.**



Starting at the top edge of the windscreen as shown, measure along the ditch moulding towards the rear of the vehicle. Mark the ditch moulding at the following distances.

Using a pair of snips, cut the ditch moulding on each of the marks you made and remove the 4 small sections.

2.2



Starting at the top edge of the windscreen measure along the ditch towards the rear of the vehicle. Mark the hole centre's in the ditch as shown.



**TIP:**

Place tape around the drill to mark a depth of 15mm. Some models may have an airbag curtain below.

Drill a 4mm Pilot hole in the center of the markings. Open the holes using a 7mm drill bit.



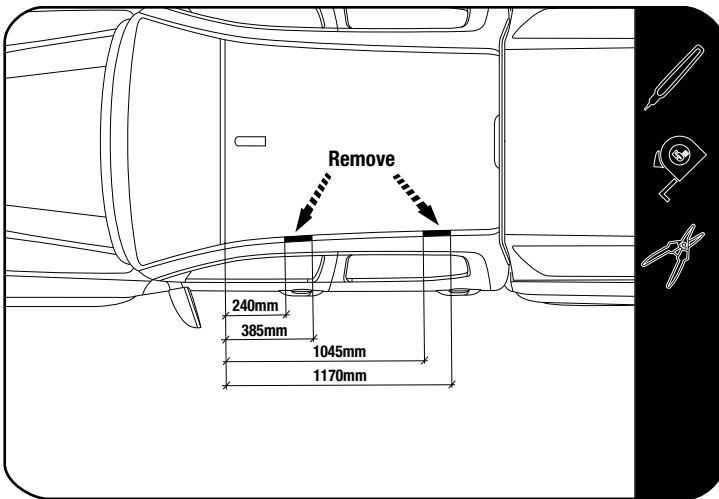
**Apply anti rust to all holes.**



**Proceed to 2.5.**

**FIT AND SECURE TO MODELS WITH FRONT ANTENNA (2016 - 2021)**

2.3



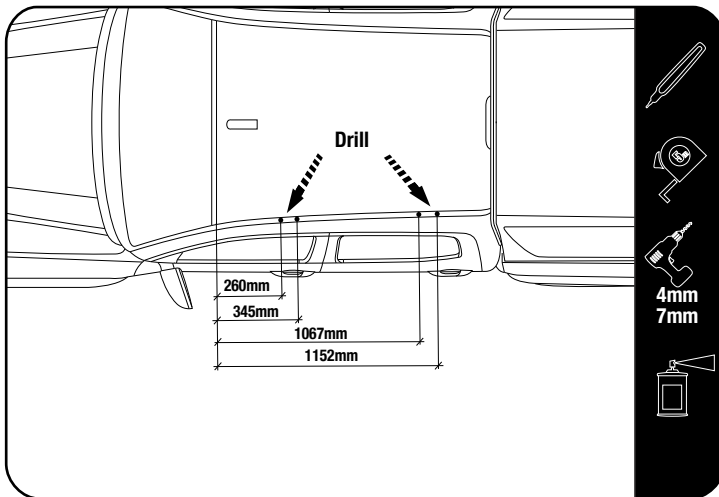
**THIS INSTALLATION IS NOT SUITABLE FOR MODELS WITH REAR ANTENNA**



Starting at the top edge of the windscreen as shown, measure along the ditch moulding towards the rear of the vehicle. Mark the ditch moulding at the following distances.

Using a pair of snips, cut the ditch moulding on each of the marks you made and remove the 4 small sections.

2.4



Starting at the top edge of the windscreen measure along the ditch towards the rear of the vehicle. Mark the hole centre's in the ditch as shown.



**TIP:**

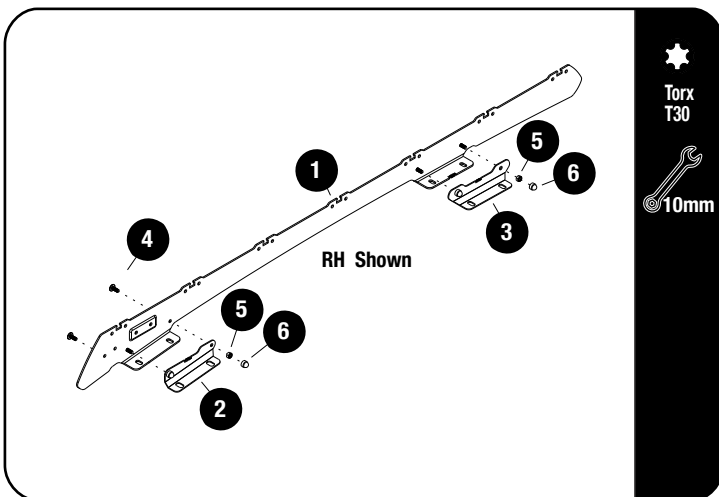
Place tape around the drill to mark a depth of 15mm. Some models may have an airbag curtain below.

Drill a 4mm Pilot hole in the center of the markings. Open the holes using a 7mm drill bit.



**Apply anti rust to all holes.**

2.5



Secure the Stiffener Plates (Items 2 & 3) to the Foot Rails (Item 1), using M6x16 Flange Button Heads & M6 Nyloc Nuts (Items 4 & 5). Fully tighten.

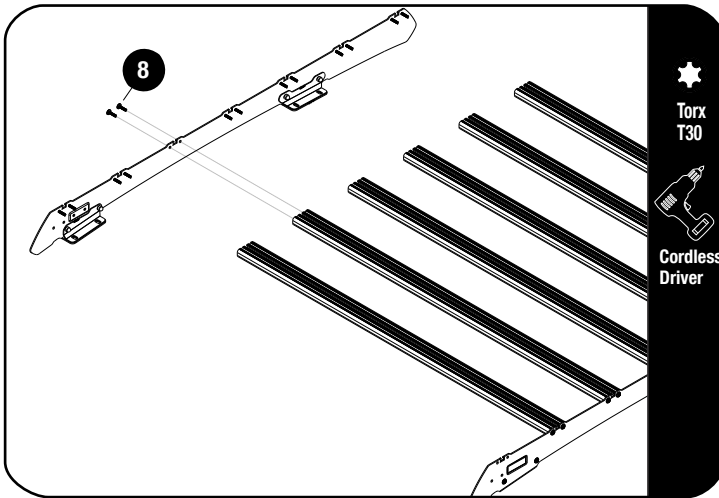
Do this to both the LH & RH Foot Rail.

Place M6 Nut Caps (Item 6) over all Nyloc Nuts.

2

FIT AND SECURE

2.6



**NOTE: Do not fit the front slat yet.**



**Use a little Oil / Anti-Seize on screw threads before inserting. Note these are Thread forming screws.**



**Assemble six Slats (Item 10) to assembly in 2.3 using M6x25 Thread Forming Screws (Item 11).**



**Tightening Torque 8-10Nm / 5.9 ft lb - 7.38 ft lb. Take care when using a cordless driver.**

2.7

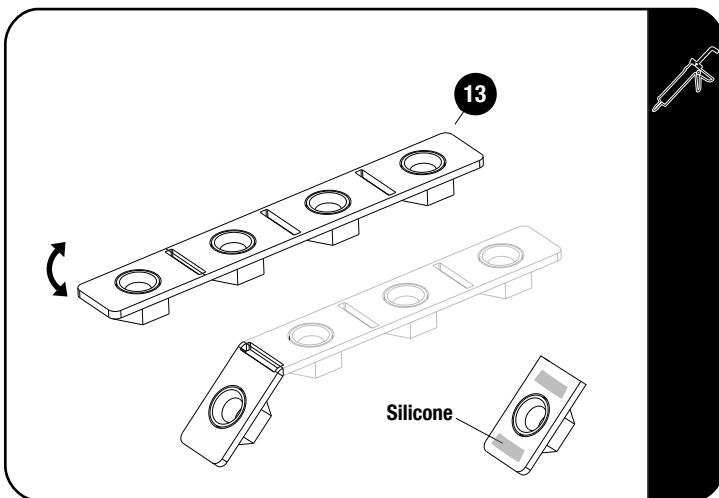


**Drop the vehicle's Roof Lining.**



**Look online for videos to assist.**

2.8

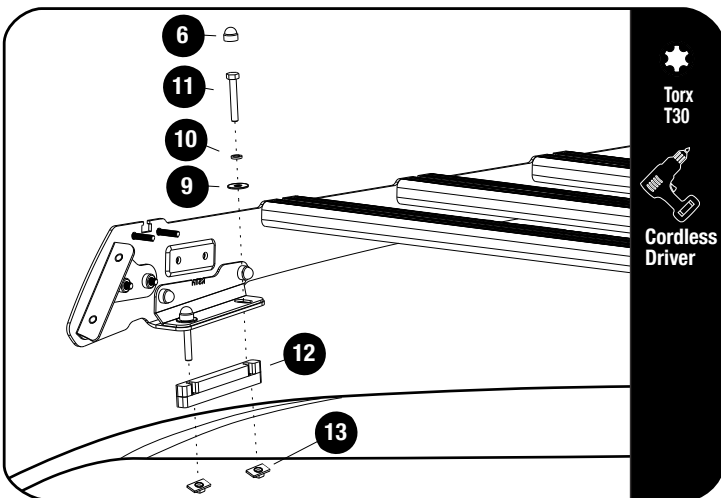


**Twist the nut plates (Item 13) free from each other and apply silicone before the fitment in step 2.7.**

**2**

**FIT AND SECURE**

2.9



Place silicone over the 8 holes drilled in 2.2. Center the spacers (Item 12) over the holes drilled in 2.2, followed by the rack assembly.

Place a bead of silicone on the threads of the M6 x 50 Hex Bolts and secure the Slimsport roof rack to the Nut Plates (Item 13) prepared in 2.6 using M6 x 50 Hex Bolts, M6 Spring Washers & M6 x 19 x 1 Flat Washers (Items 9, 10 & 11). Fully tighten.

Place M6 Nut Caps (Item 6) over all Hex Bolts.

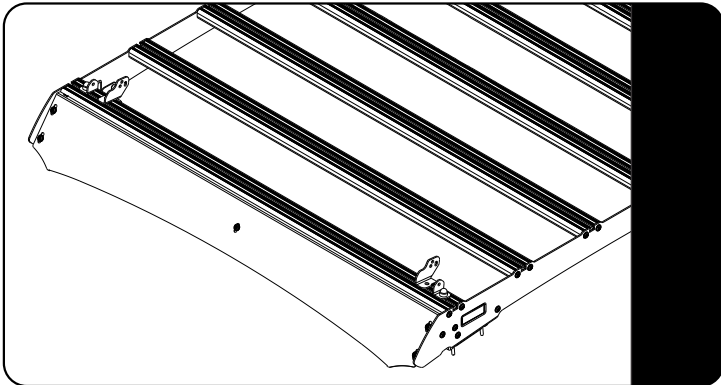
Torx T30  
Cordless Driver

**3**

**FIT AND SECURE**

**STANDARD WIND FAIRING ASSEMBLY**

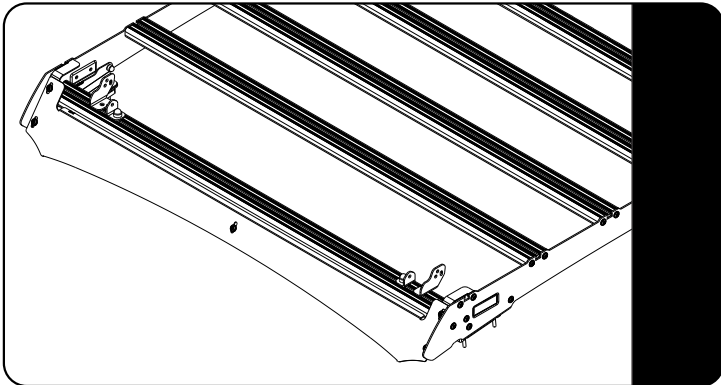
3.1



Refer to fitment guide RRAC244

**LIGHT BAR WIND FAIRING ASSEMBLY**

3.2



Refer to fitment guide RRAC245

4

## COMPLETION

4.1

Congratulations! You did it. Take a step back and admire your work!



5





## INSTALL OTHER VEHICLE AND RACK ACCESSORIES

Now's the time to visit your favorite Front Runner Dealer in person or online.

### IMPORTANT!

FRONT RUNNER RACK KITS OFTEN HAVE A HIGHER LOAD RATING THAN THE VEHICLES THEY ARE MOUNTED TO. PLEASE REFER TO YOUR SPECIFIC VEHICLE MANUFACTURER FOR A RECOMMENDED ROOF RATING. FRONT RUNNER CANNOT BE RESPONSIBLE FOR IMPROPER LOADING BEYOND THE VEHICLE MANUFACTURER'S STATED LOAD CAPACITY.

Be sure to tag us. We love to see our gear in action! #FrontRunnerOutfitters #BornToRoam

Share your adventures on:    

**Congratulations! You did it. Take a step back and admire your work!**

