



FITMENT INSTRUCTIONS

Suzuki Jimny Gen 4 In-Cabin Cargo Shelf

Installation Instructions

Preliminary information

Installation and fitment instructions including tools required, fasteners, kit, and the hardware..

Please follow the instructions and check installation actions with the images in this document.



Service Enquiries email
queries@alu-cab.com

Installation Instructions

Tools, Fasteners & Hardware

1.1

Tools & Items Required

4mm Allenkey
Medium sized Star Screwdriver

1.3

Hardware Required

In-Cabin Molle Plate	1
----------------------	---

1.2

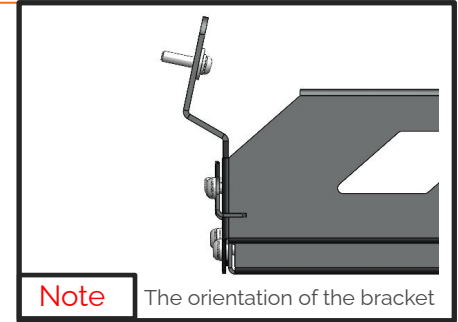
Fasteners Supplied

M6x25mm Button-Head Bolt	4
M6 Oversized Washer	4
M6 Spring Washers	4
M6x15mm Button-Head Bolt	4
M6 Washer	4
M6 Spring Washers	4

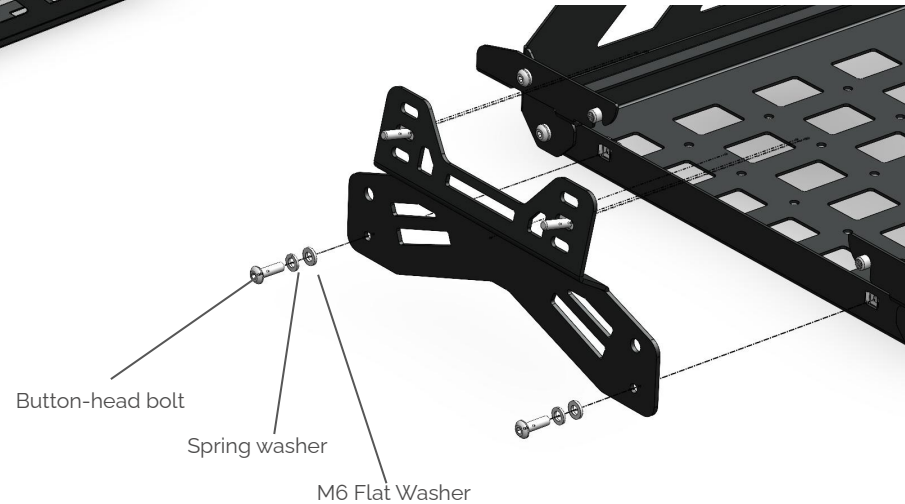
Installation Instructions

2

Using the M6 x 20 button-head bolt, spring washer and flat washer, fasten the side brackets to the main tray assembly



Note The orientation of the bracket



Installation Instructions

3

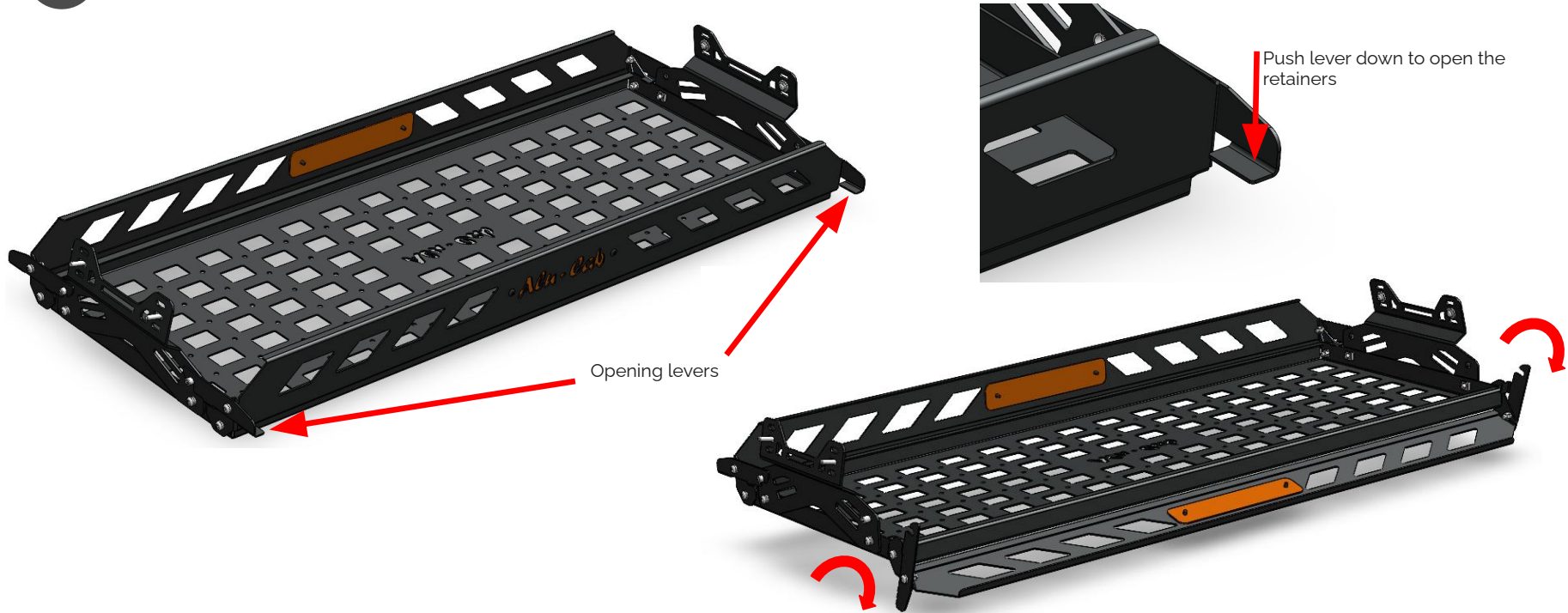
Remove the internal roof handles with the star screw driver.



Installation Instructions

4

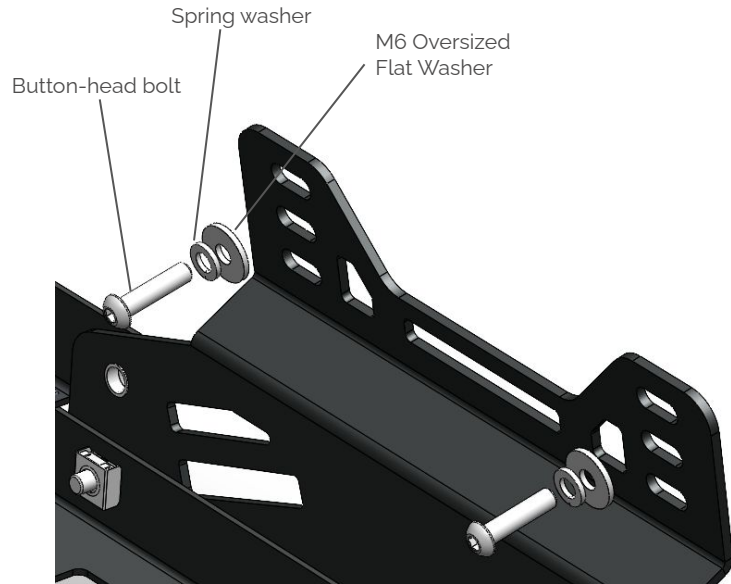
Unlock the shelf retainer using the levers on either side of the main shelf. Move the retainers to the open position.



Installation Instructions

5

With the retainer in the open position, move the assembly into the cabin and align the mounting holes of the brackets with the standard vehicle grab handle holes. Fasten the M6 Button-Head bolts, the M6 Oversized Flat Washer and the spring washer through the shelf brackets into the vehicles standard mounts.



Installation Instructions

6

Once the one side is secure, repeat the process of fastening the shelf bracket to the vehicle on the other side.



Once the In-Cabin Cargo is securely mounted, you can close the retainer and it will automatically lock into place. Well done.

Disclaimer

All rights reserved. No part of this website may be reproduced, translated, stored in a retrieval system, or transmitted, in any form or by any means, electronic, mechanical, photocopying, recording or otherwise, without prior written permission of the owner.

Review all instructions information carefully before installation.

Any damages, direct or incidental to the installer and/or property due to incorrect installation of any parts are the responsibility of the installer. Due to the various applications and fitment options available, the responsibility lies with the user to ensure all mounting points are secure and tight before every trip.

If unsure, consult with your Distributor regarding the operations of our products.

Users are advised to be mindful of the load they are carrying and drive in accordance with road conditions.

WARNING

Always wear appropriate PPE (Personal protection equipment) when fitting our products. Although the mounting kit is designed to be DIY, if you have any doubts or concerns, contact an accredited fitment centre to carry out the work. Alu-Cab will not be liable for any injury to persons, and/or damage to products and/or vehicles.

While Alu-Cab Holdings takes reasonable measures to ensure that the contents of this Website are accurate and complete, Alu-Cab Holdings makes no representations or warranties, whether express or implied, as to the quality, timeliness, operation, integrity, availability or functionality of this Website or as to the accuracy, completeness or reliability of any information on this Website. Alu-Cab Holdings reserves the right to make changes, corrections and/or improvements to the information and to the products and programs described in such information, at any time without notice.

Alu-Cab Holdings will use reasonable endeavours to maintain the availability of the Website, except during scheduled maintenance periods, and reserves the right to discontinue providing the Website or the service or any part thereof with or without notice to you. Any person who accesses this Website or relies on this Website or on the information contained in this Website does so at his or her own risk.

Occasionally, at our discretion, we may include or offer third-party products or services on our website. These third-party sites have separate and independent privacy policies. We therefore have no responsibility or liability for the content and activities of these linked sites. Nonetheless, we seek to protect the integrity of our site and welcome any feedback about these sites.