

 **JAMES BAROUD**

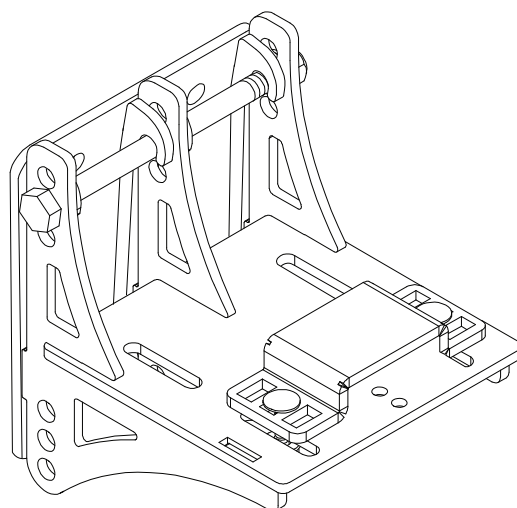
EN INSTALLATION GUIDE

FR Guide d'installation

DE Installationsanleitung

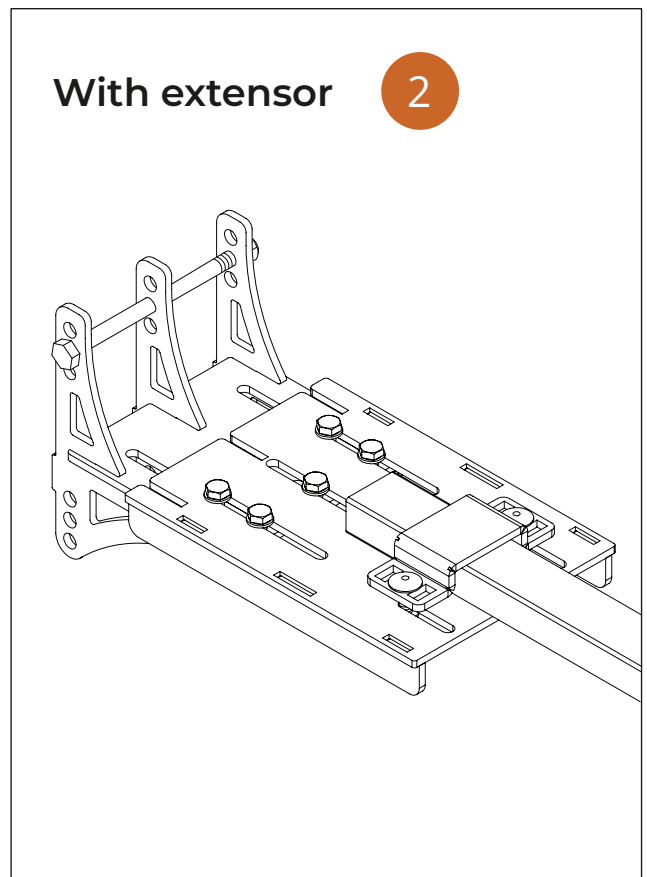
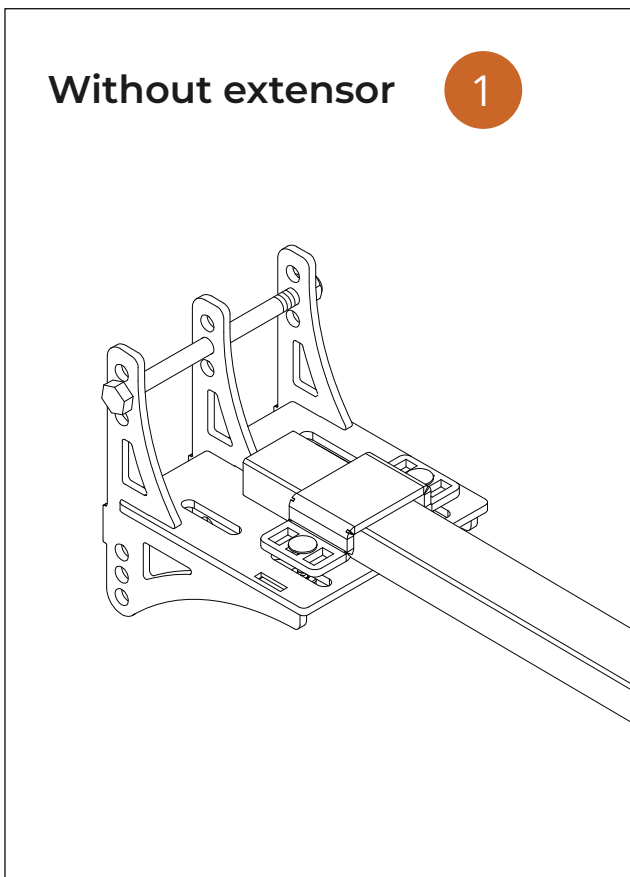
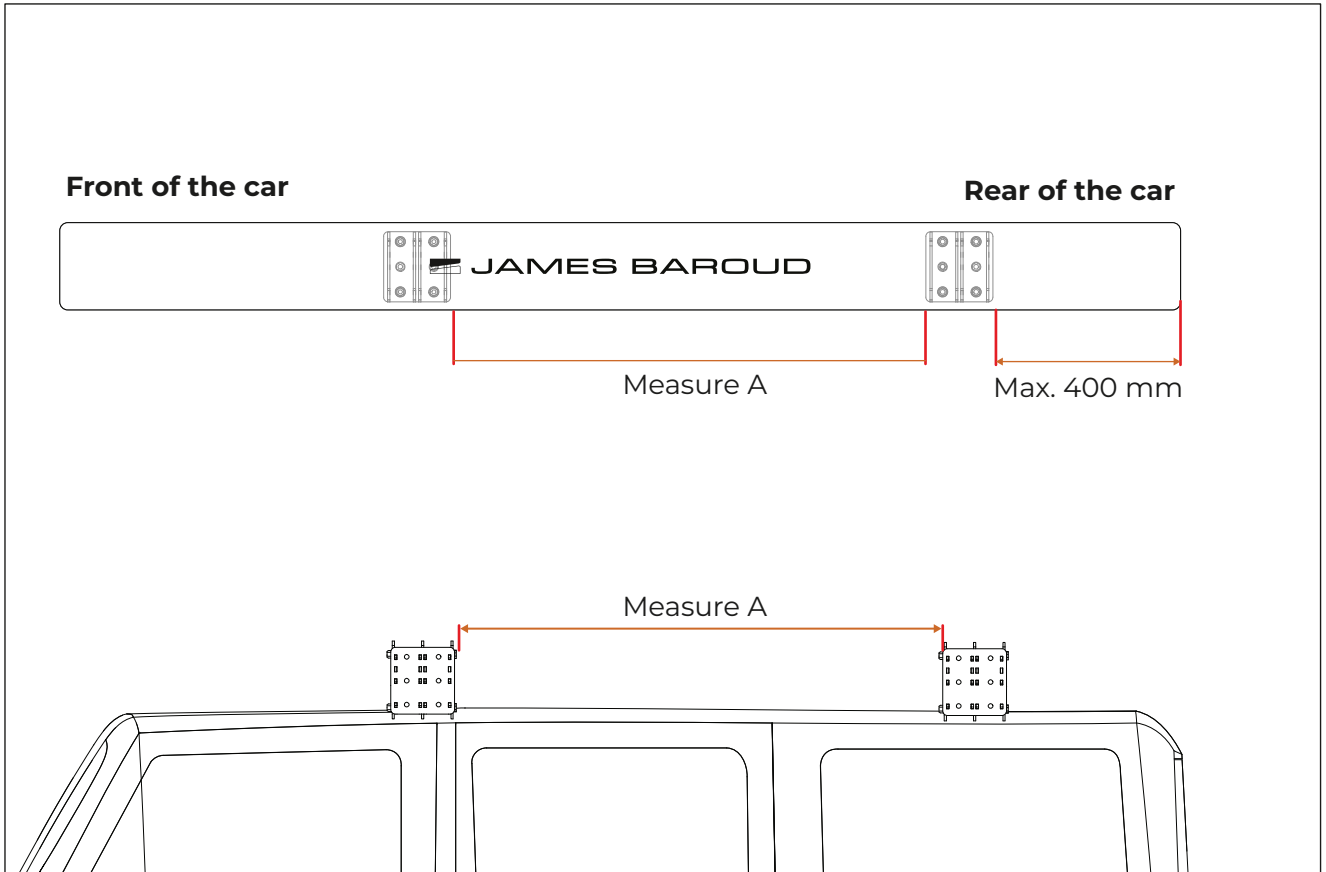
ES Guía de instalación

PT Guia de instalação

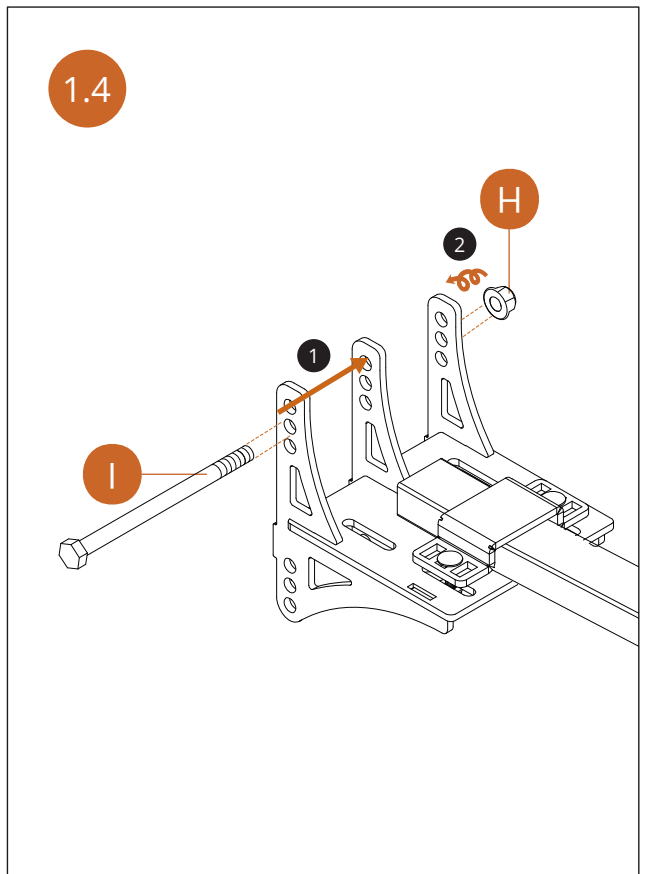
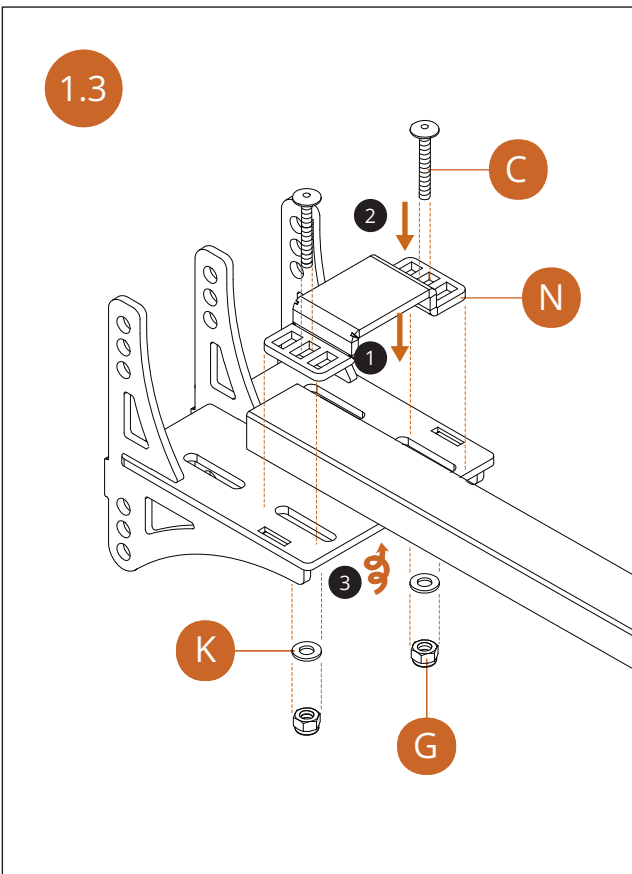
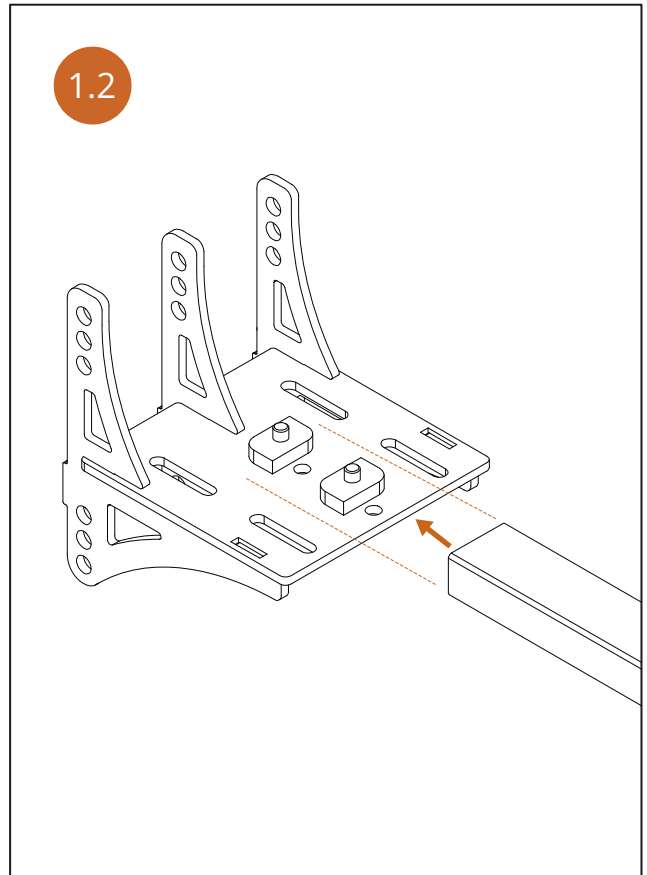
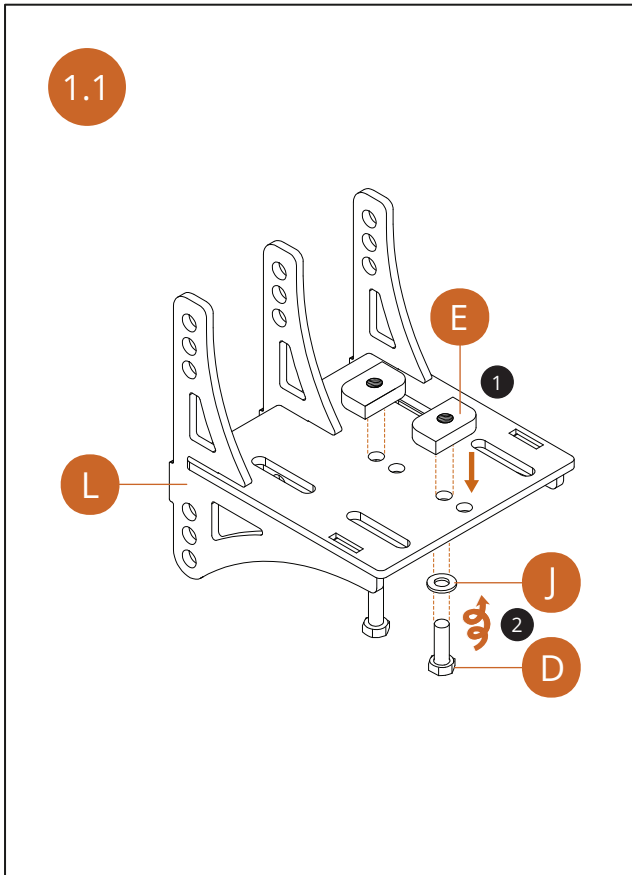


Falcon Awning 270°

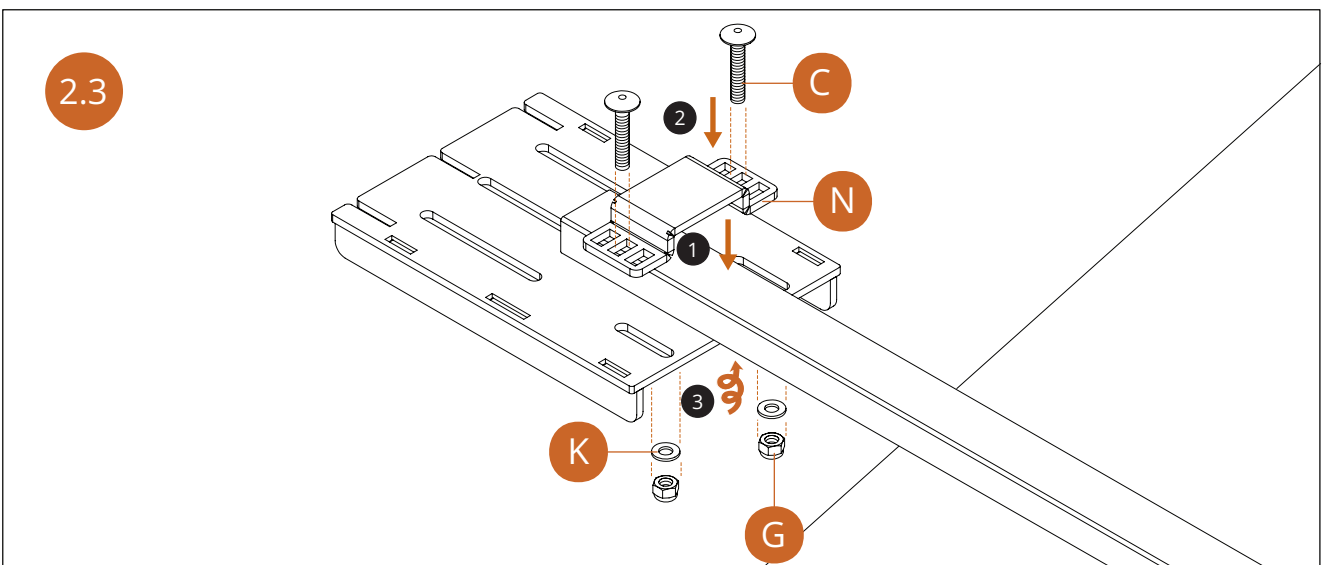
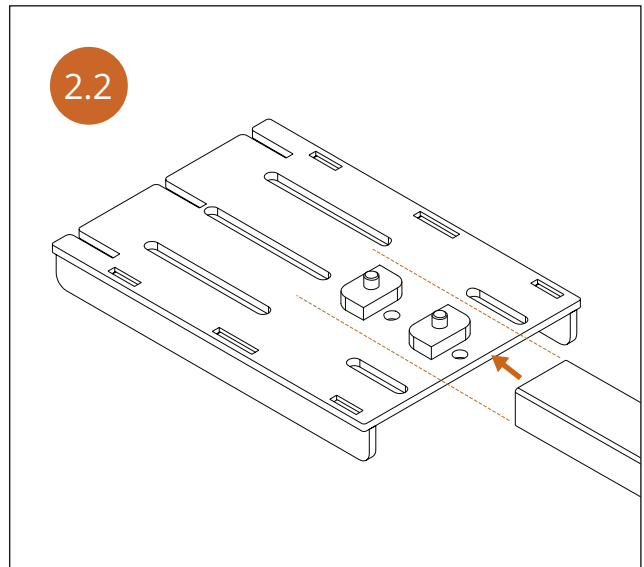
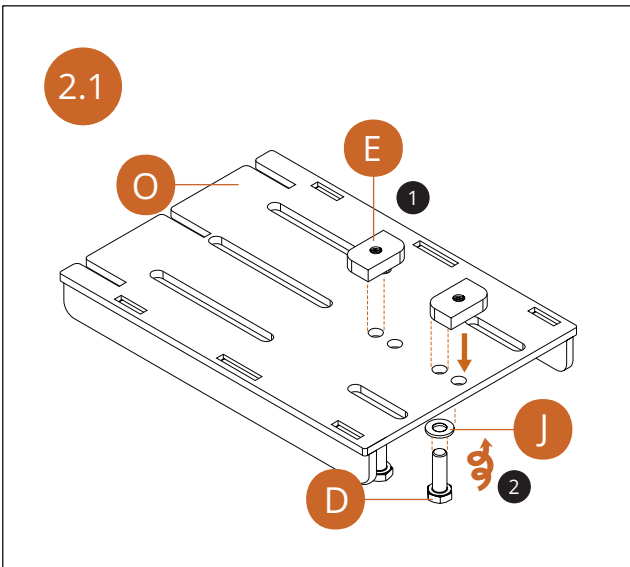
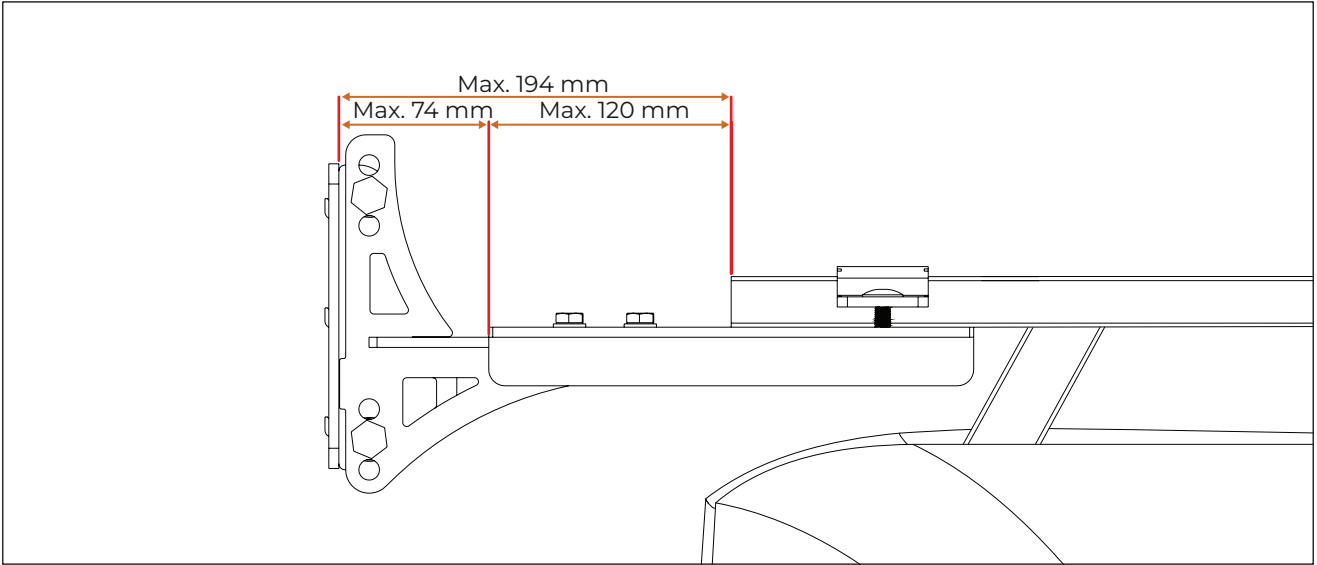
ASSEMBLY



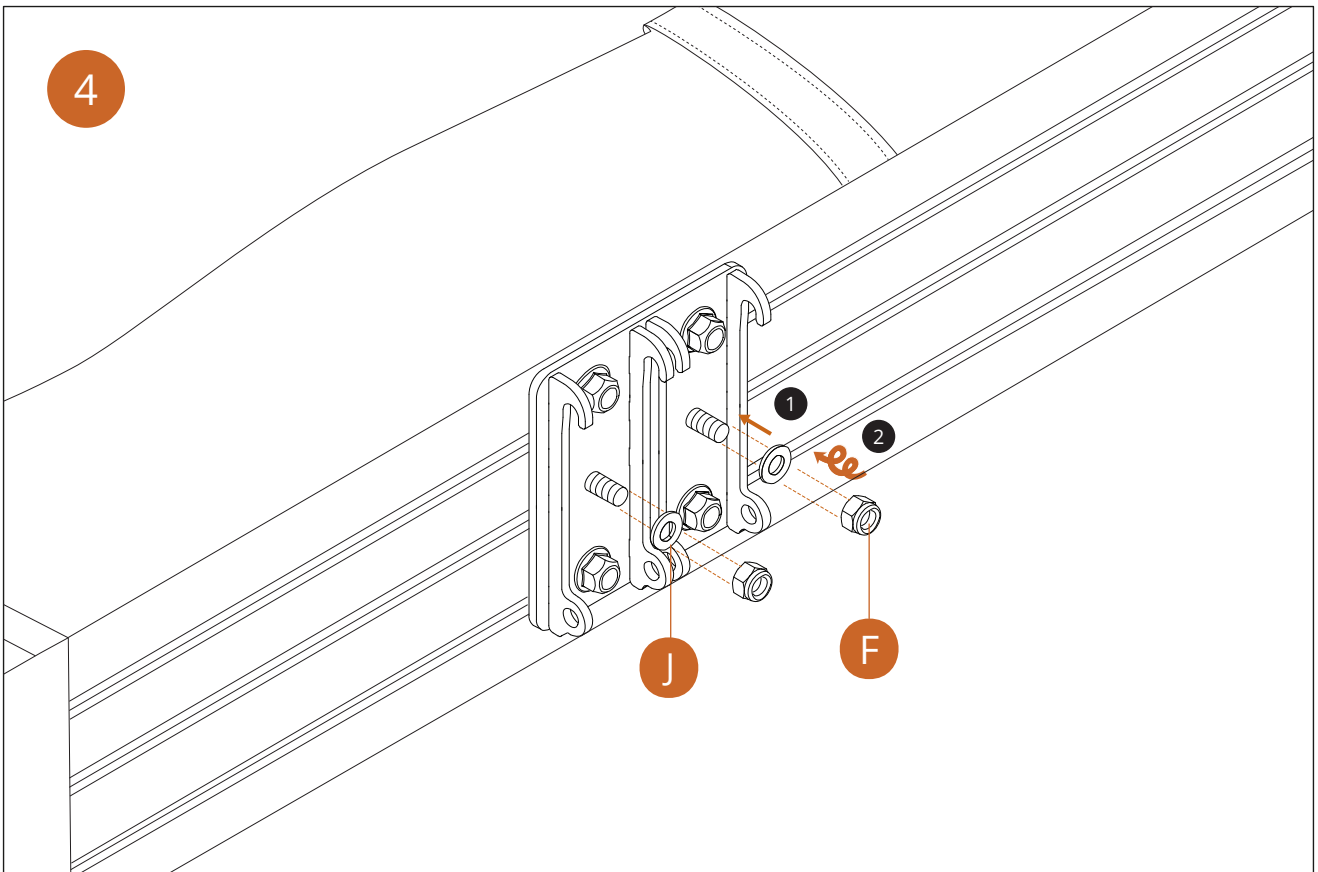
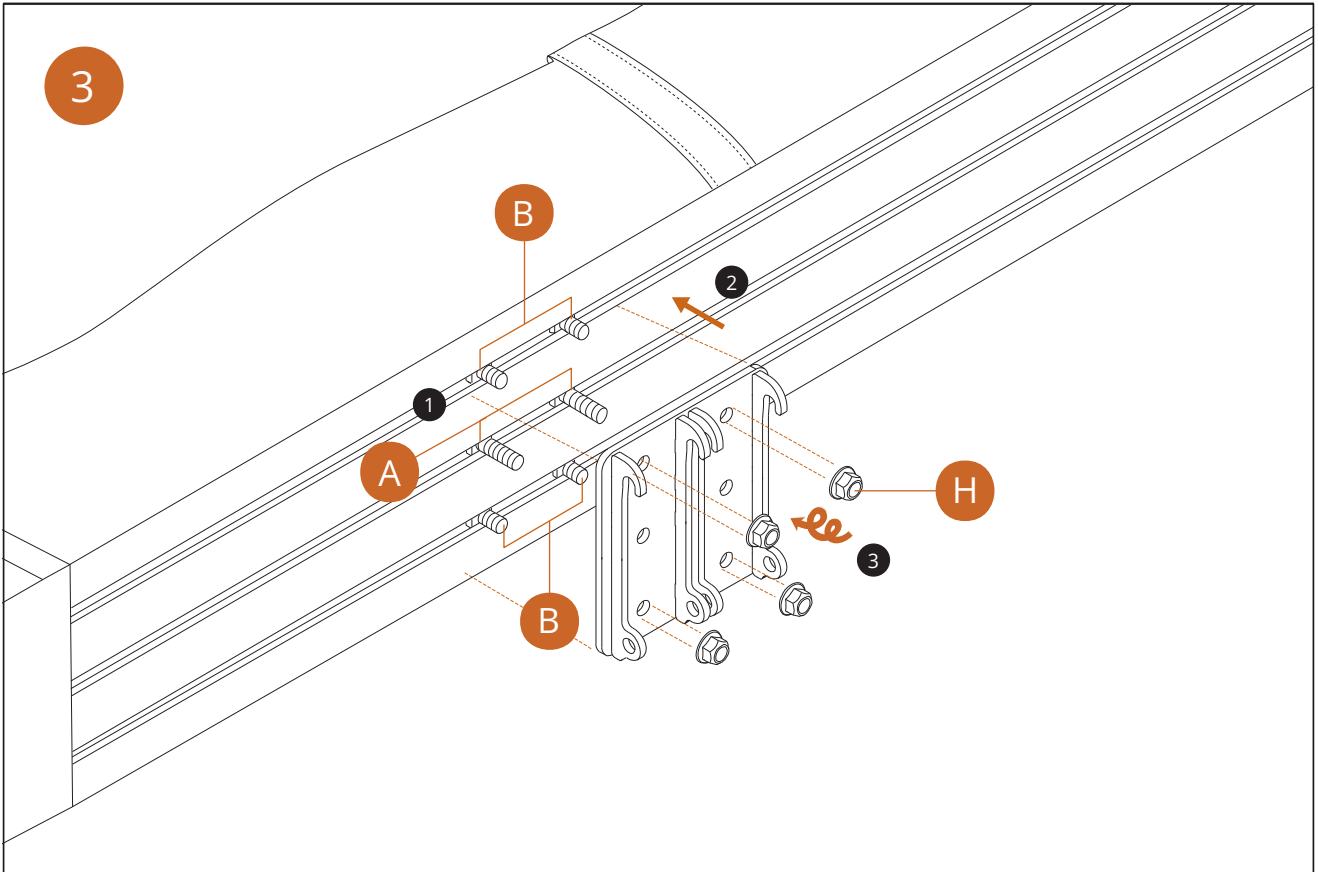
ASSEMBLY WITHOUT EXTENSOR



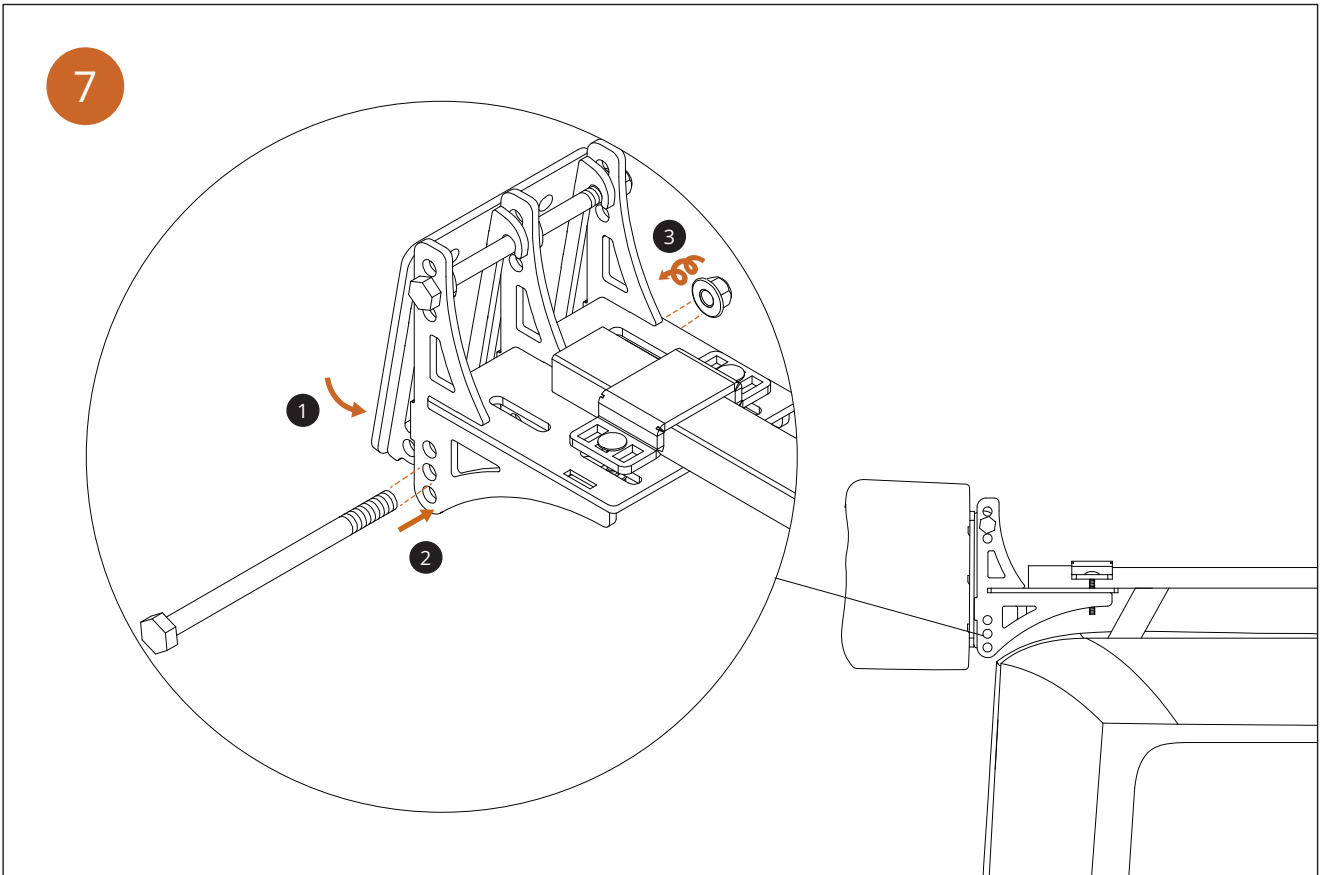
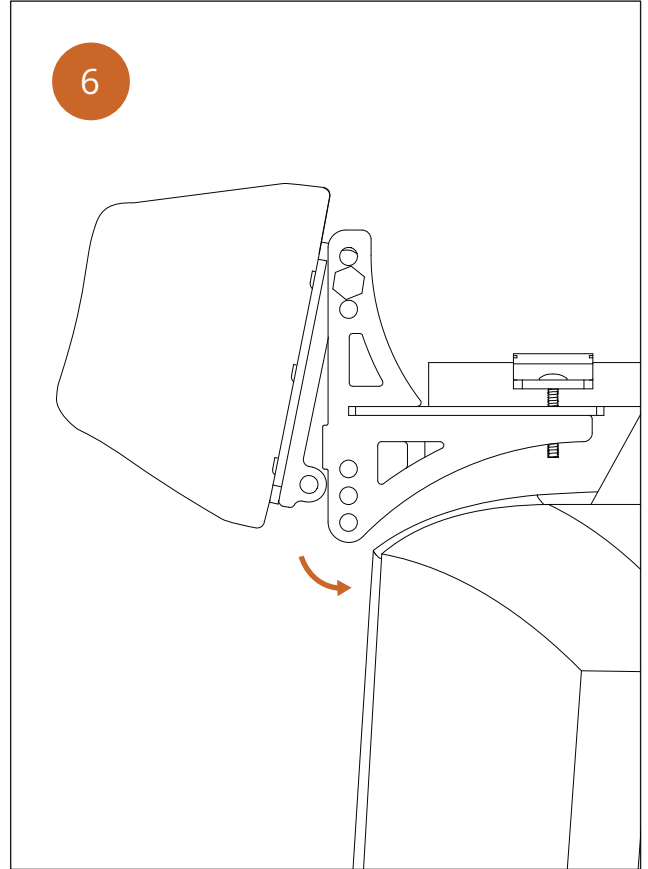
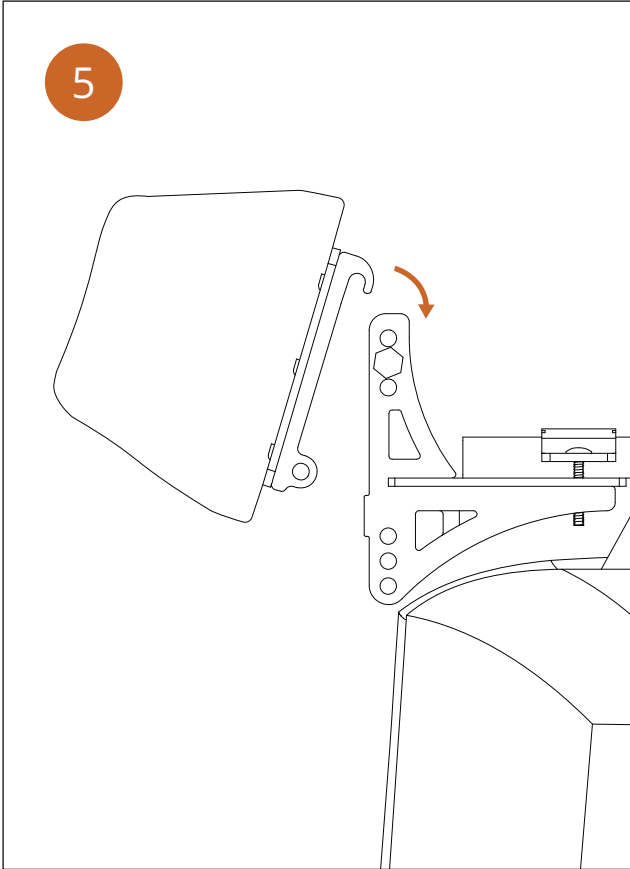
ASSEMBLY WITH EXTENSOR



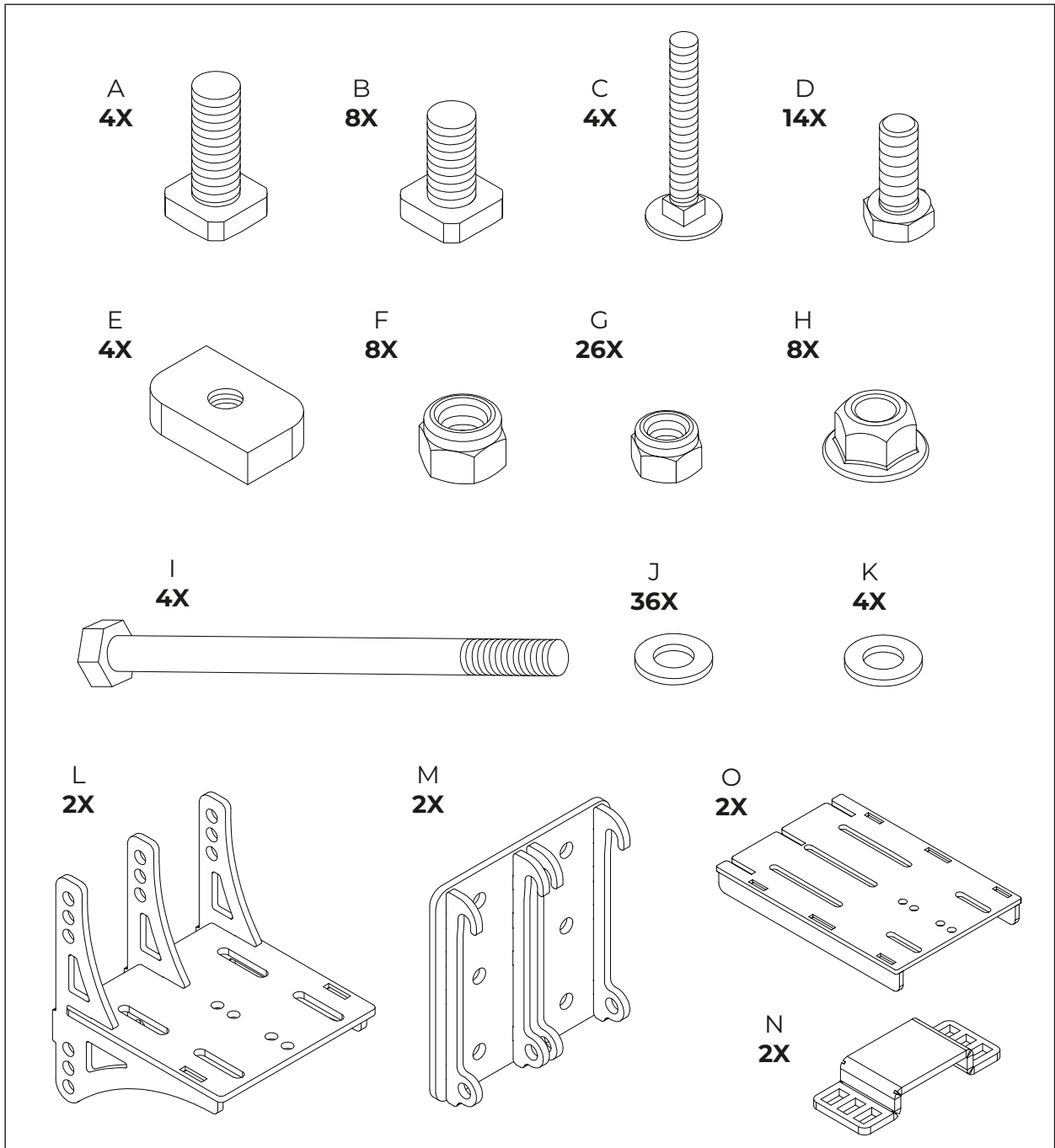
ASSEMBLY



ASSEMBLY



COMPONENTS



READ MORE ON

jamesbaroud.com

[@jamesbaroudofficial](https://www.instagram.com/jamesbaroudofficial)

