



## FITMENT INSTRUCTIONS

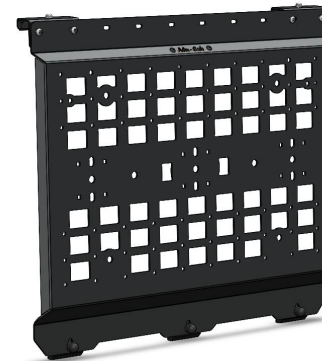
Side Molle plate for Suzuki Jimny Gen4

# Installation Instructions

## Preliminary information

Installation and fitment instructions including tools required, fasteners, kit, and the hardware..

Please follow the instructions and check installation actions with the images in this document.



Service Enquiries email  
[queries@alu-cab.com](mailto:queries@alu-cab.com)

# Installation Instructions

Tools, Fasteners & Hardware

1.1

## Tools & Items Required

10mm Spanner / Wrench / Socket
M4 Allen key
Drill and 5mm drill bit

## For Jerry Can Fitment

2 X 19mm Spanner / Wrench / Socket
Rivet Gun

1.2

## Hardware Required

Molle plate	1
Molle plate brackets A & B	2

# Installation Instructions

Fitment – Tools, Fasteners & Hardware

1.4

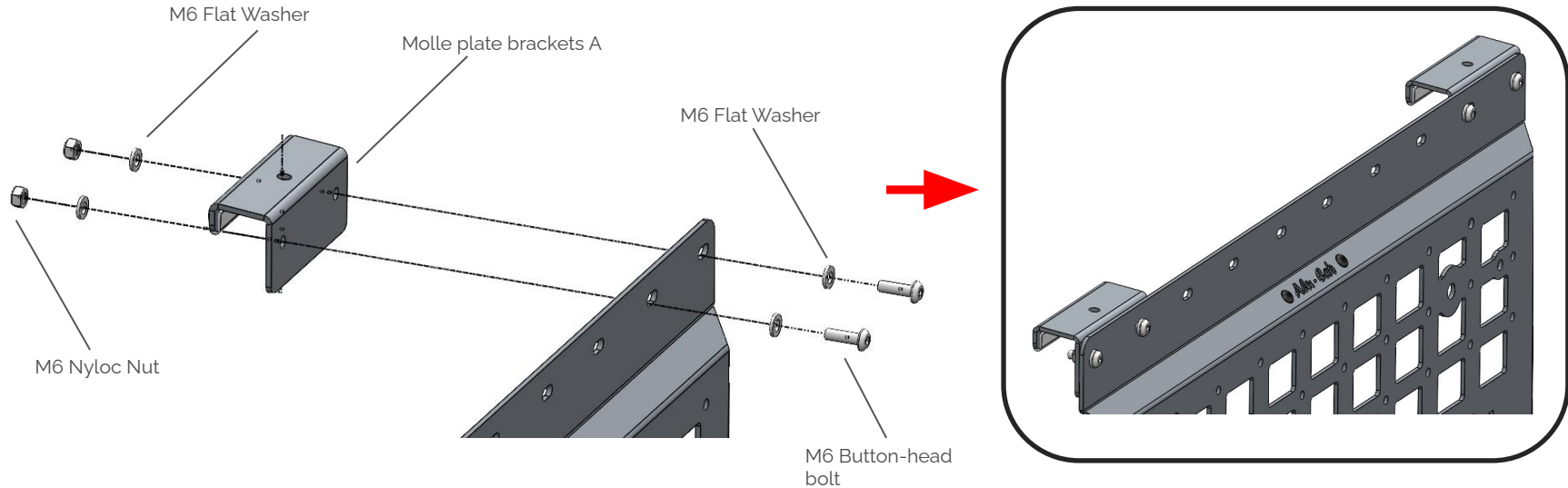
## Fasteners Supplied

M6x12mm Flat Washer	6
M6 Spring Washer	2
M6x50 Button-Head bolt	2
M6x20 Button-Head bolt	4
M6 Nyloc nut	4
M6x18 Overside Washer	4
M8x20 Cup-square bolt	2
M8x20 Oversize washer	6

M8 Nyloc Nut	3
M6 Nut-Cap	4
M8 Nut-Cap	3
Pinch-weld Rubber strip	2
4.2 Rivet	4

## Installation Instructions

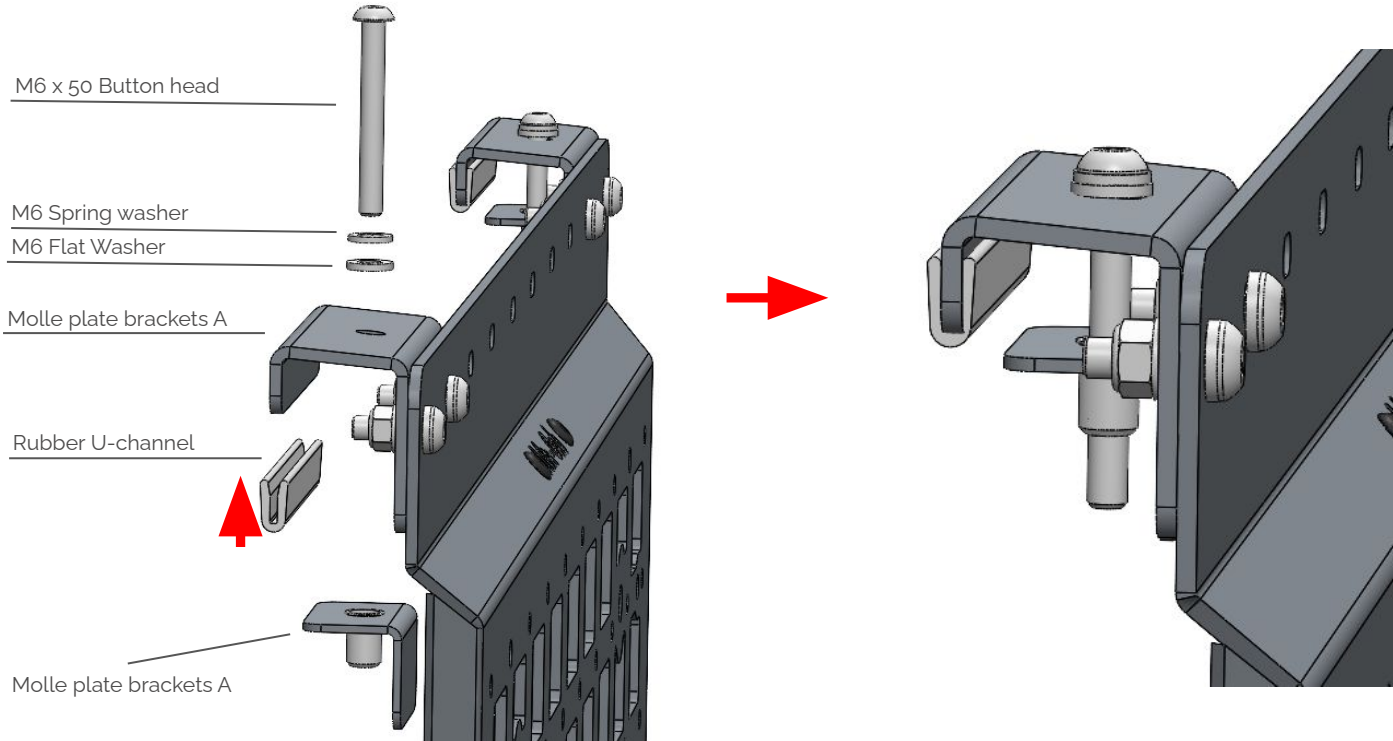
2 Fasten bracket A onto the main Molle plate using the below fasteners



## Installation Instructions

3

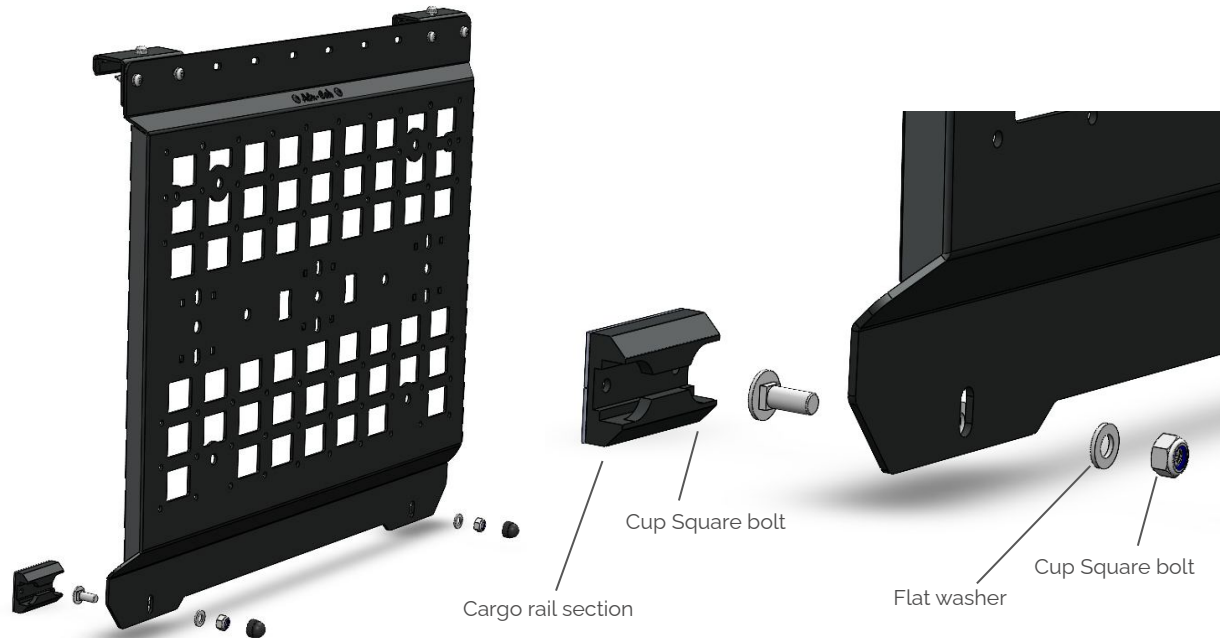
Place the Rubber U-channel onto the edge of Bracket A. use the fasteners below attach bracket A to B. Just screw the Button-head bolt in enough to grip the thread, allowing the bracket to dangle loose.



## Installation Instructions

4

Slide the Cup Square bolt into the cargo rail sections and fasten the cargo rail to the Molle plate using the flat washer, and nyloc nut.



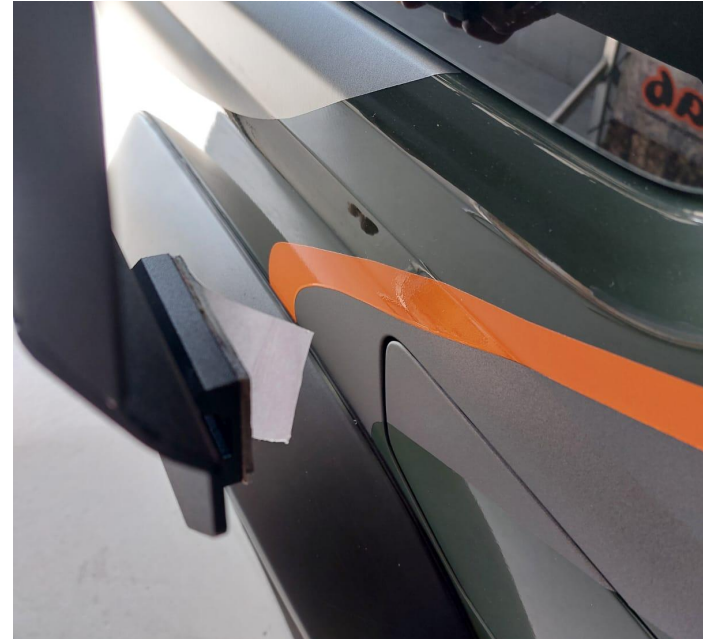
Assembled view

## Installation Instructions

- 5.1 Hang the Molle Plate off the vehicle's gutter rail at the desired orientation to the window.



- 5.2 Peel off the adhesive backing from the double-sided tape on the back of the cargo rail.

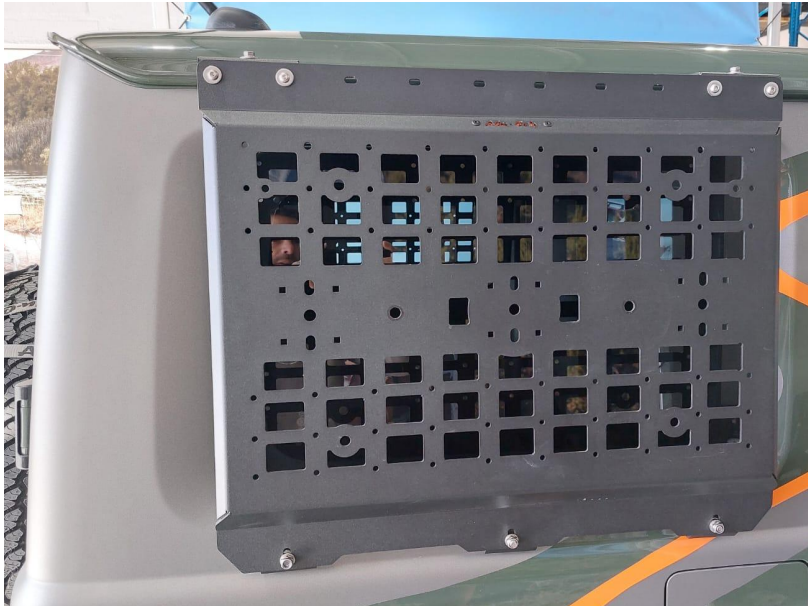




## Installation Instructions

6.1

Push the Molle Plate against the vehicle body ensuring that the double-sided tape has a strong bond.



6.2

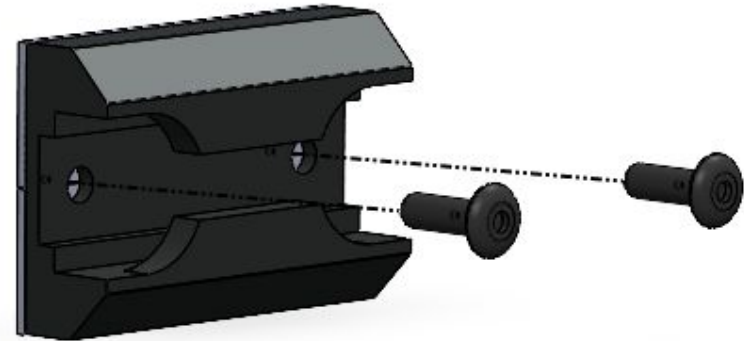
Unfasten the nyloc nut and washer from the cargo rail to remove the Molle Plate.



## Installation Instructions

7

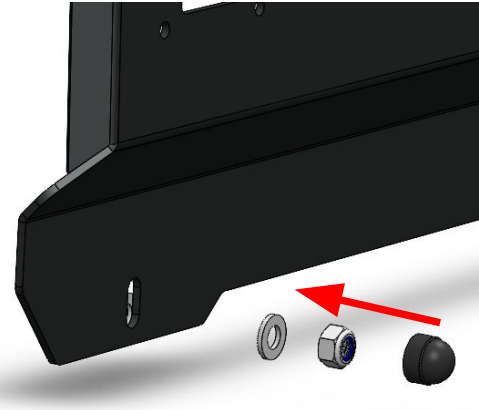
Using the 5mm drill and bit, drill through the holes in the cargo rail sections. Rivet the cargo rails onto the vehicle for a secure fitment. The user may mount the cargo rail sections with only the double-sided, but it is advisable to rivet it onto the vehicle.



## Installation Instructions

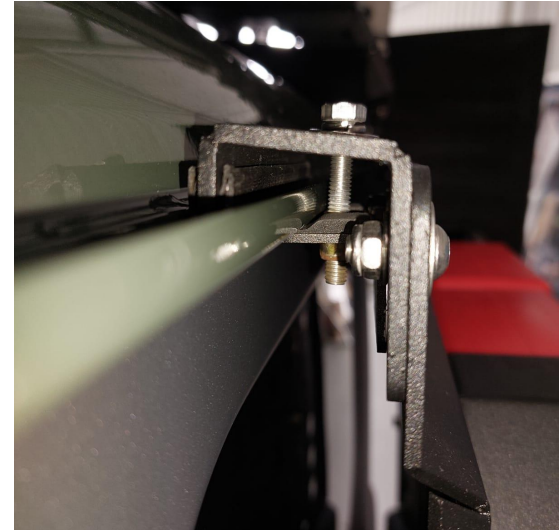
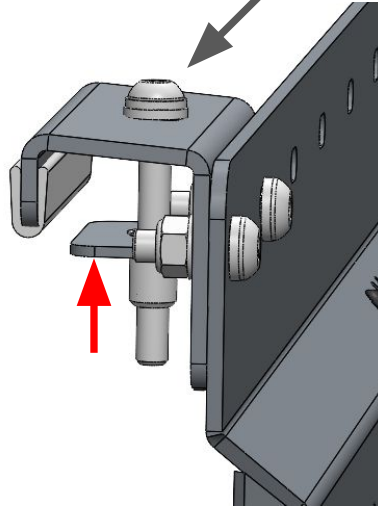
8.1

Replace the Cup Square bolt into the cargo rail and Re-hang the Molle Plate on the gutter rail to align the Cup Square bolt with the holes in the Molle Plate. Tighten the washer and bolt onto the Cup Square bolt to 14 Nm.



8.1

Tighten the M6 Button-head bolt on the top bracket to clamp the Molle Plate to the vehicle gutter rail.



# Disclaimer

---

All rights reserved. No part of this website may be reproduced, translated, stored in a retrieval system, or transmitted, in any form or by any means, electronic, mechanical, photocopying, recording or otherwise, without prior written permission of the owner.

## **Review all instructions information carefully before installation.**

Any damages, direct or incidental to the installer and/or property due to incorrect installation of any parts are the responsibility of the installer. Due to the various applications and fitment options available, the responsibility lies with the user to ensure all mounting points are secure and tight before every trip.

If unsure, consult with your Distributor regarding the operations of our products.

Users are advised to be mindful of the load they are carrying and drive in accordance with road conditions.

## **WARNING**

Always wear appropriate PPE (Personal protection equipment) when fitting our products. Although the mounting kit is designed to be DIY, if you have any doubts or concerns, contact an accredited fitment centre to carry out the work. Alu-Cab will not be liable for any injury to persons, and/or damage to products and/or vehicles.

While Alu-Cab Holdings takes reasonable measures to ensure that the contents of this Website are accurate and complete, Alu-Cab Holdings makes no representations or warranties, whether express or implied, as to the quality, timeliness, operation, integrity, availability or functionality of this Website or as to the accuracy, completeness or reliability of any information on this Website. Alu-Cab Holdings reserves the right to make changes, corrections and/or improvements to the information and to the products and programs described in such information, at any time without notice.

Alu-Cab Holdings will use reasonable endeavours to maintain the availability of the Website, except during scheduled maintenance periods, and reserves the right to discontinue providing the Website or the service or any part thereof with or without notice to you. Any person who accesses this Website or relies on this Website or on the information contained in this Website does so at his or her own risk.

Occasionally, at our discretion, we may include or offer third-party products or services on our website. These third-party sites have separate and independent privacy policies. We therefore have no responsibility or liability for the content and activities of these linked sites. Nonetheless, we seek to protect the integrity of our site and welcome any feedback about these sites.