

# 48002303



Checklist / Manual de Montagem - P.choques frontal - Toyota Hilux Revo



Checklist / Fitting Instructions - Front bumper - Toyota Hilux Revo




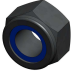











Despiezas / Instrucciones de montaje -



<b>1</b> x1 48002230		<b>2</b> x1 48002231		<b>3</b> x1 48002121		<b>4</b> x1 47001722	
<b>5</b> x1 46005518		<b>5</b> x1 47001763		<b>6</b> x1 47001762		<b>7</b> x1 46006604	
<b>8</b> x1 46006603		<b>9</b> x1 46006520		<b>10</b> x4 46006522		<b>11</b> x1 46006519	
<b>12</b> x1 46006484		<b>13</b> x1 46006445		<b>14</b> x1 46006442		<b>15</b> x1 46006441	
<b>16</b> x1 46006440		<b>17</b> x1 46006439		<b>18</b> x1 46006438		<b>19</b> x1 46006437	
<b>20</b> x1 46006436		<b>21</b> x10 45001012		<b>22</b> x8 45000165		<b>23</b> x12 45000949	
	<input type="checkbox"/>	Fem. M6 gaiola	<input type="checkbox"/>	Anilha M14	<input type="checkbox"/>	Femea de gaiola M4	<input type="checkbox"/>
<b>24</b> x12 45000924		<b>25</b> x12 45000923		<b>26</b> x14 45000998		<b>27</b> x2 45000537	
Anilha aba larga M4	<input type="checkbox"/>	Prf. cab. cil. M4x12	<input type="checkbox"/>	M6x20	<input type="checkbox"/>	Par. Cab. Red. M8x25	<input type="checkbox"/>
<b>28</b> x8 45000402	<input type="checkbox"/>	<b>29</b> x4 45000216	<input type="checkbox"/>	<b>30</b> x8 45000145	<input type="checkbox"/>	<b>x4</b> 45000110	<input type="checkbox"/>
	<input type="checkbox"/>	Prf. Cb. Sx. M14x30	<input type="checkbox"/>	Prf. Cab. Red. M5x15	<input type="checkbox"/>	Prf. Cb. Con. M10x25	<input type="checkbox"/>
<b>x4</b> 45000104	<input type="checkbox"/>	<b>x6</b> 45000084	<input type="checkbox"/>	<b>x4</b> 45000069	<input type="checkbox"/>	<b>x6</b> 45000066	<input type="checkbox"/>
Prf. Sx. M12x30x1,25	<input type="checkbox"/>	Prf. Cb. Sx. M12x90	<input type="checkbox"/>	Prf. Cb. Sx. M10x35	<input type="checkbox"/>	Fêmea Freiada M12	<input type="checkbox"/>

Toyota Hilux Revo  
(2015- )

<b>36 x8</b> <b>45000061</b> Anilha M5		<input type="checkbox"/>	<b>37 x16</b> <b>45000036</b> Anilha Aba Larga M12		<input type="checkbox"/>	<b>38 x3</b> <b>45000018</b> Fêmea Freiada M8		<input type="checkbox"/>	<b>39 x18</b> <b>45000017</b> Fêmea Freiada M10		<input type="checkbox"/>
<b>40 x8</b> <b>45000039</b> Anilha M10		<input type="checkbox"/>	<b>41 x10</b> <b>45000015</b> Prf. Cb. Sx. M10x25		<input type="checkbox"/>	<b>42 x3</b> <b>45000014</b> Prf. Cb. Sx. M8x25		<input type="checkbox"/>	<b>43 x8</b> <b>45000011</b> Anilha aba larga M8		<input type="checkbox"/>
<b>44 x32</b> <b>45000010</b> Anilha Aba Larga M10		<input type="checkbox"/>	<b>45 x4</b> <b>45000007</b> Prf.Cb.Sx.M10x30x1,5		<input type="checkbox"/>	<b>46 x4</b> <b>45000330</b> Fêmea Freiada M14		<input type="checkbox"/>	<b>47 x2</b> <b>45001053</b> perfil PFGV 0956		<input type="checkbox"/>
<b>48 x2</b> <b>45000502</b> Borracha vedação		<input type="checkbox"/>									

Acessórios: \_\_\_\_ / \_\_\_\_ / \_\_\_\_ | Peças/Compostos: \_\_\_\_ / \_\_\_\_ / \_\_\_\_ | Artigo: \_\_\_\_ / \_\_\_\_ / \_\_\_\_ | Embalagem: \_\_\_\_ / \_\_\_\_ / \_\_\_\_

Thank you for choosing AFN products, a lot of time in R&D has gone into perfecting our products. However, if you find problems with any AFN products you have purchased, or if you have any information which would help us to improve our products, please let us know.

If you think there may be a problem either before or after fitting the AFN product, it is best to contact your nearest AFN distributor.

## WARNING

- This product should be installed as demonstrated in the product fitting instructions.
- If verified that any component is damaged, please contact your nearest AFN distributor.
- The specified parts, will only fit the models specified by AFN.
- Do not modify any component of the product.
- It is recommended that this product is installed by specialised and trained personnel.
- AFN cannot be responsible for any changes made by the vehicle manufacturer.
- Work safely and use specialised tools at all times.
- Always use protective gear.



size	Torque Nm	Torque lbft
M6	9Nm	4 lbft
M8	22Nm	16 lbft
M10	44Nm	32 lbft
M12	77Nm	57 lbft

### - Tools set required:



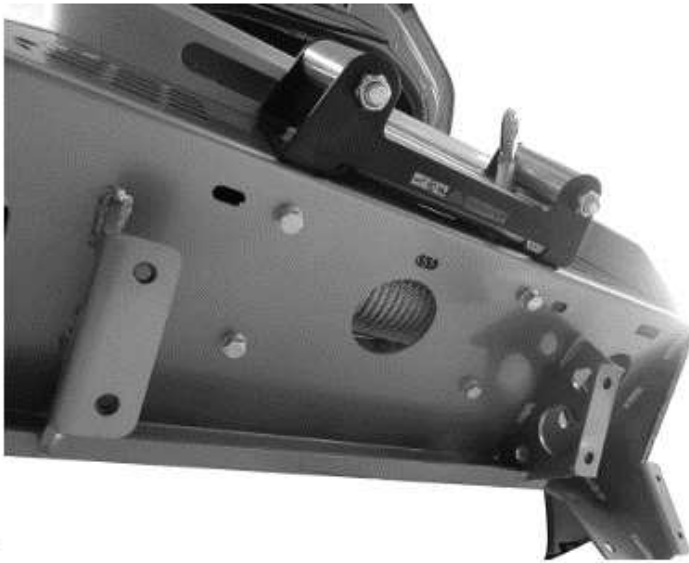
#### CONTACTS

R. da Madeira, nº 113  
Z. Industrial das Travessas  
3700-176 S. João da Madeira  
Portugal

Tel.: (+351) 256 838 300  
Fax: (+351) 256 838 305  
www.afn.pt  
geral@afn.pt

#### COORDINATES

DATUM: European 79  
UTM 05.44.100  
29T 45.28.300  
N 40°54' 14.0"  
W 08°28' 35.0"

**01**

- Before placing AFN bull bar, please fit your winch and accessories.

**02****03**

- Remove the OEM bumper.

**04****05**

- Insert part number:  
47001718

- Bolts needed  
45000010  
re use the OEM bolts.

**06**

- Fit part number  
47006440/46006519

- Repeat the operatio on the  
oposit side with the parts number:  
47006441/46006520

**07**

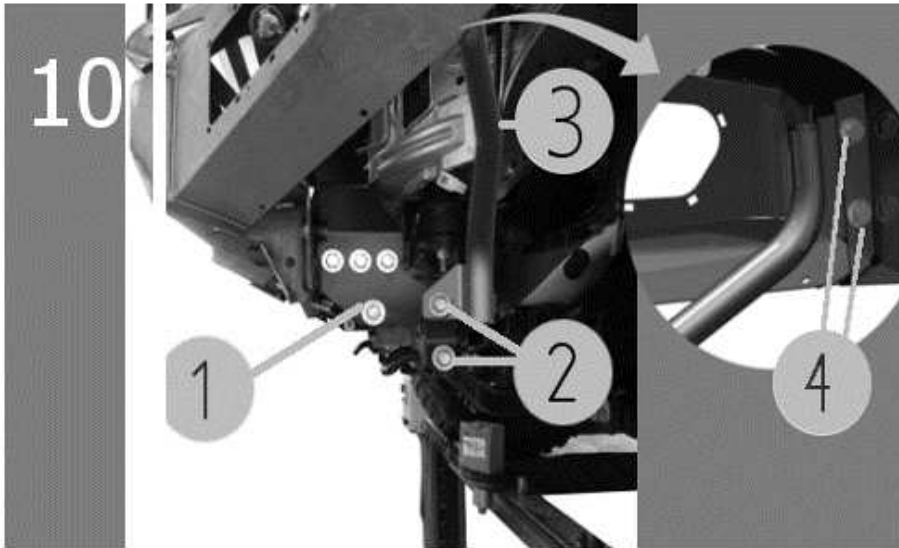
- Fit part number  
47006519/46006520

**08**

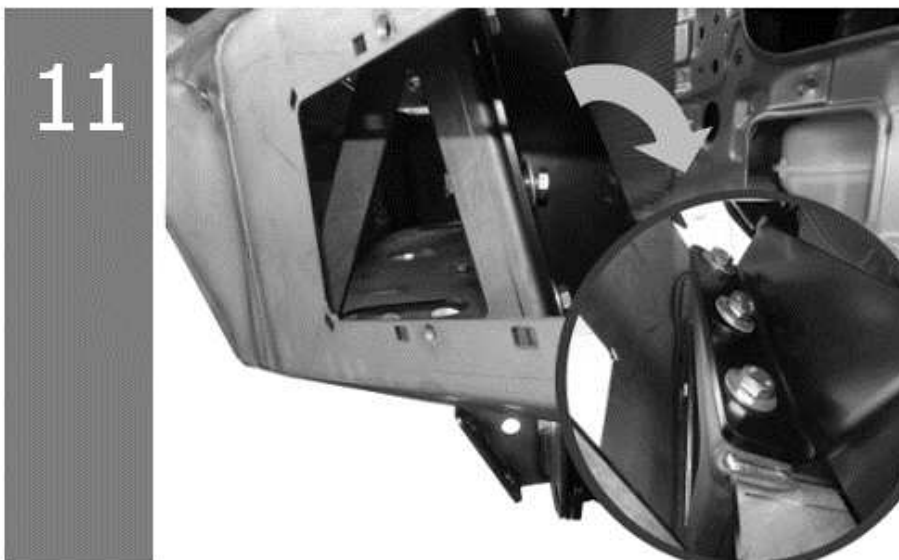
- Bolts needed  
45000084  
46006522  
45000036  
45000066

**09**

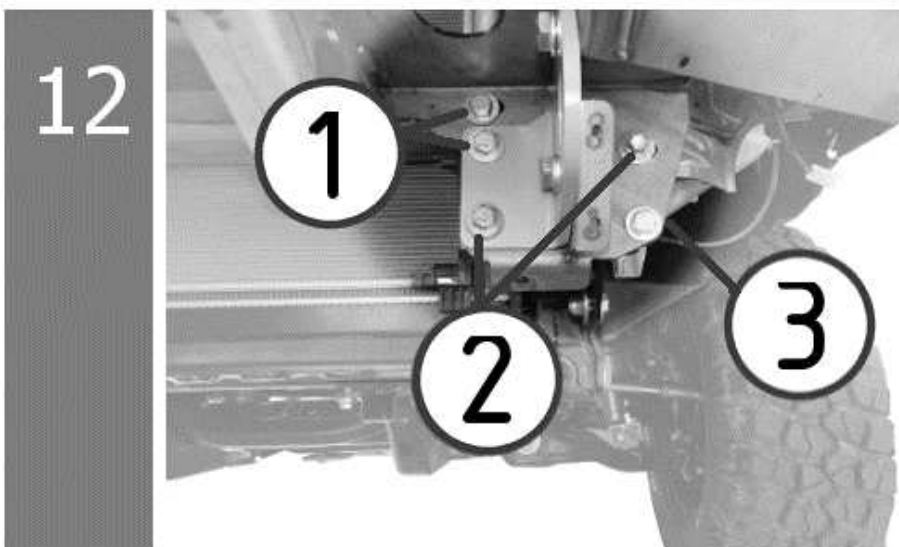
- Please finger tight all the bolts and nuts before give the final torque



- 1  
45000007/45000010/45000017
- 2  
45000104/45000036
- 3  
Fit part number  
47001652/47001653
- 4  
45000015/45000039/45000017

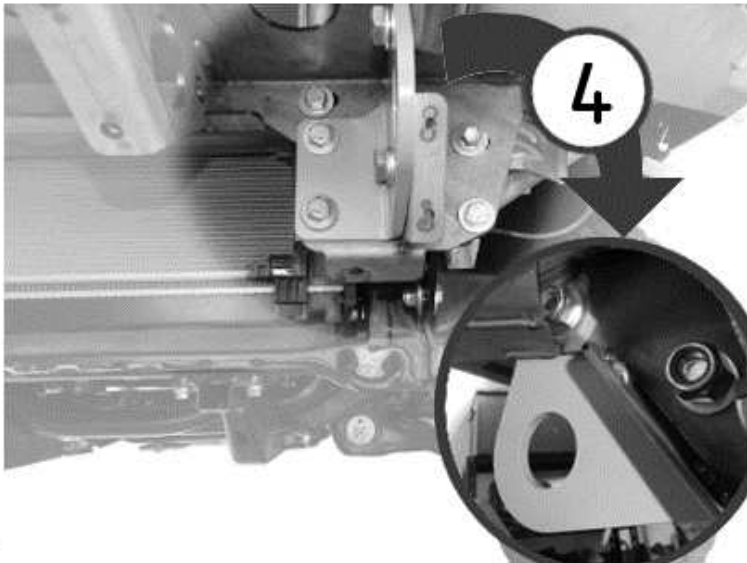


- Bolts needed  
45000015/45000010/45000017



- 1  
45000069/45000010/45000017
- 2  
OEM BOLTS with 45000010
- 3  
45000007/45000010/45000017

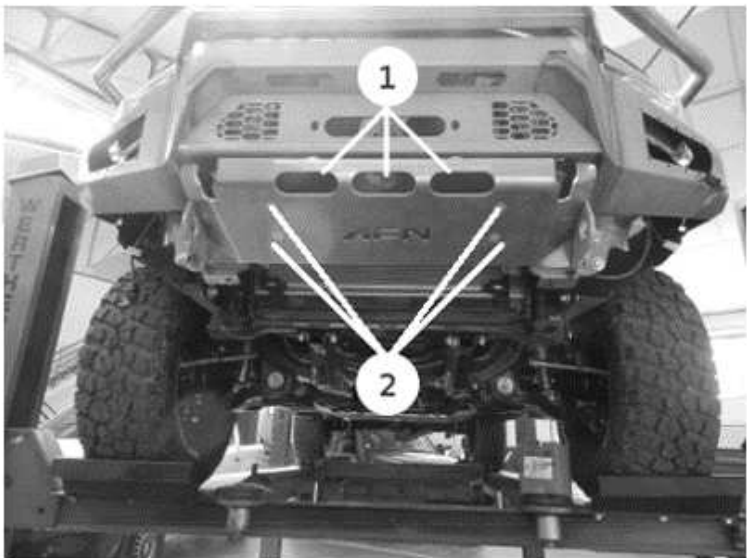
13



- Bolts needed  
45000216/45000165/45000330

-Please use the right torque settings on all the bull bar bolts.  
(use the table shown in the first page)

14



- Insert part number  
46006439

- Bolts needed  
-1  
45000014/45000018/45000011

-2  
45000110

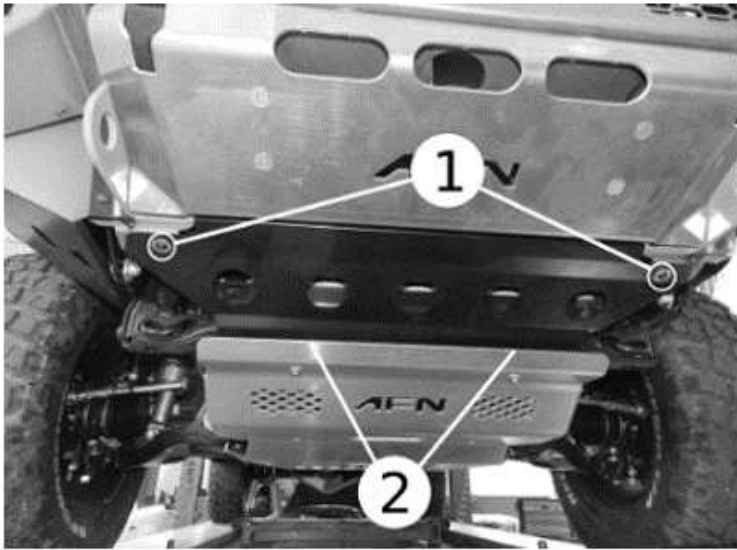
15



- Fit part number:  
46006438/46006437

- Bolts needed  
45000998



**16**

- Fit part number:  
46006436

- Bolts needed:  
-1  
45000537/45000011

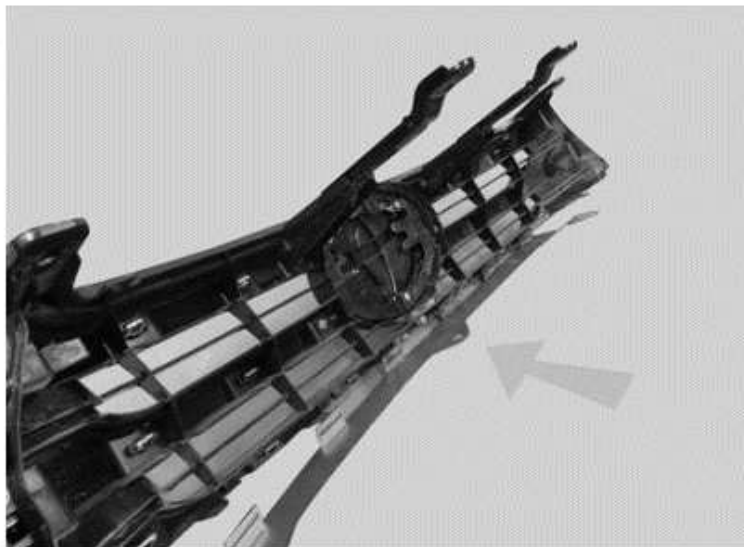
**17**

-2  
Reuse the OEM bolts.

**18**

- Use the part number  
46006437/46006438 to hold the  
OEM wheel arch protection.

-Bolts needed  
45000923/45000924

**19**

- Fit part number:  
46006442

**20**

- Reuse the OEM bolts.

**21**