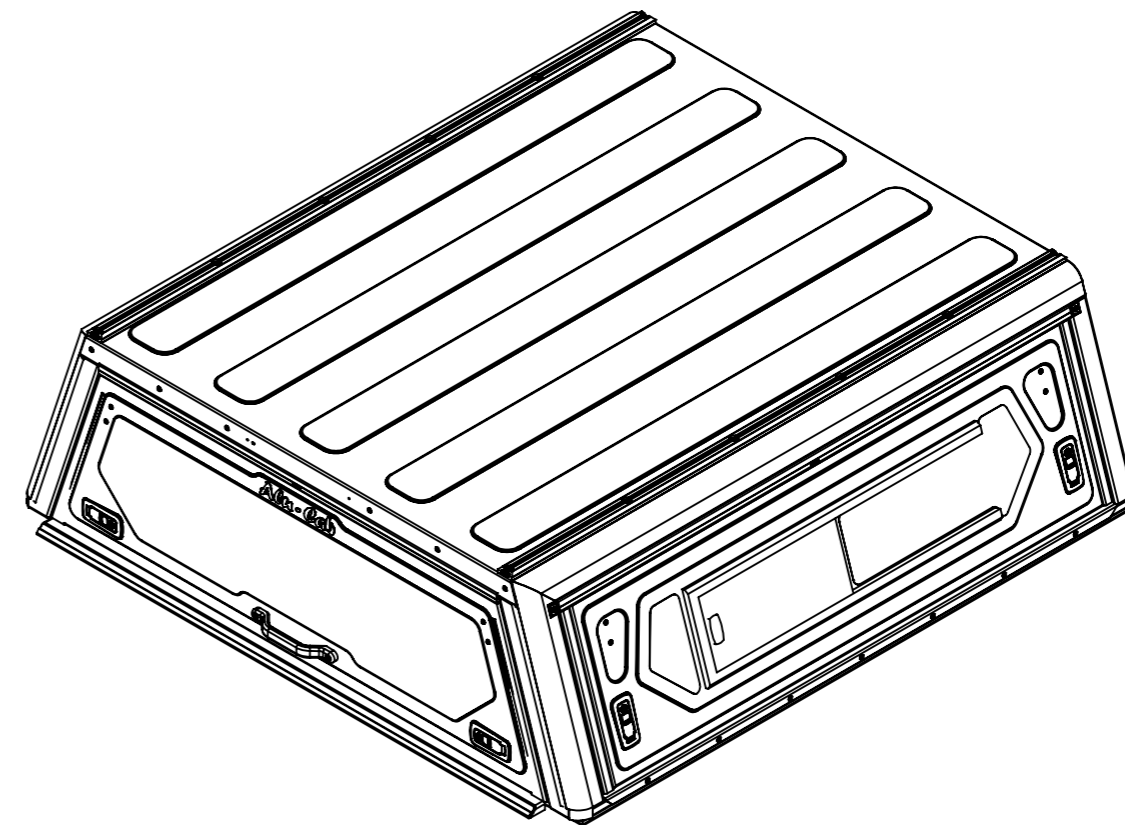
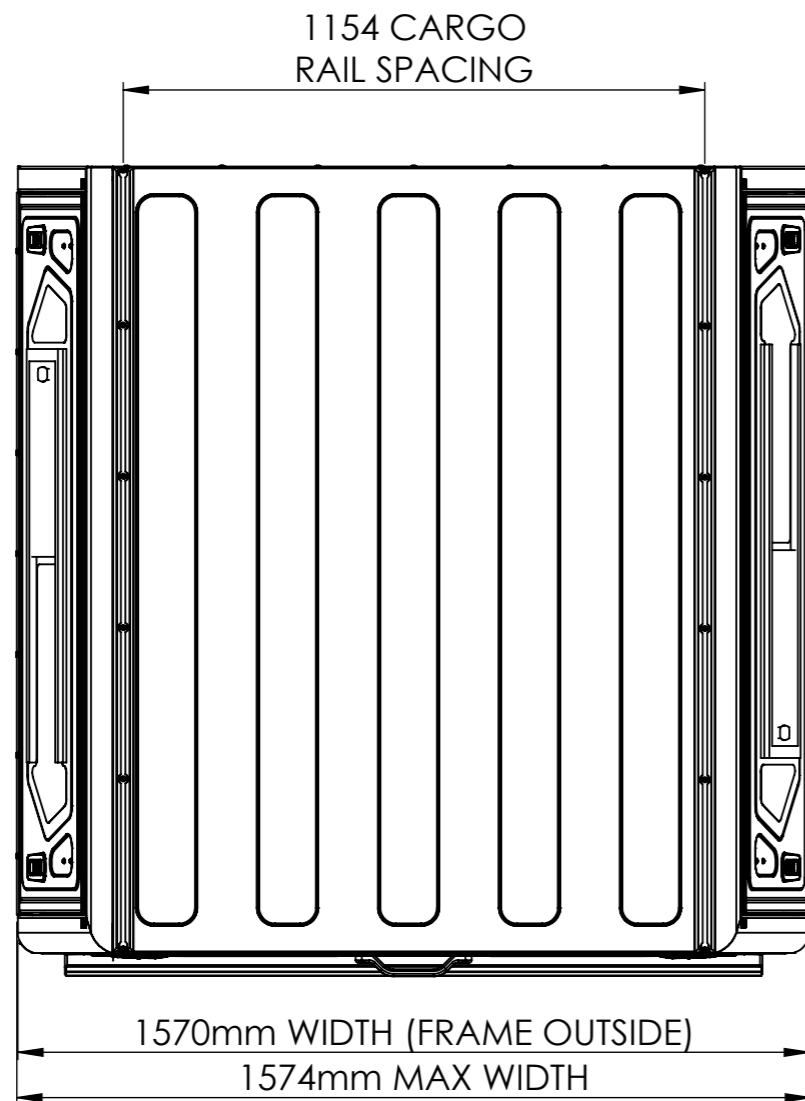
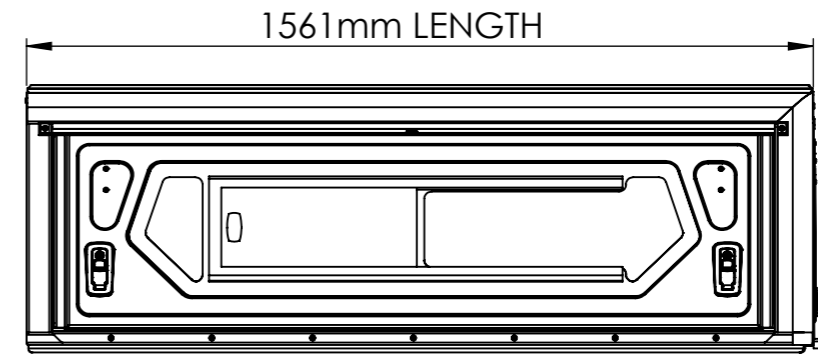
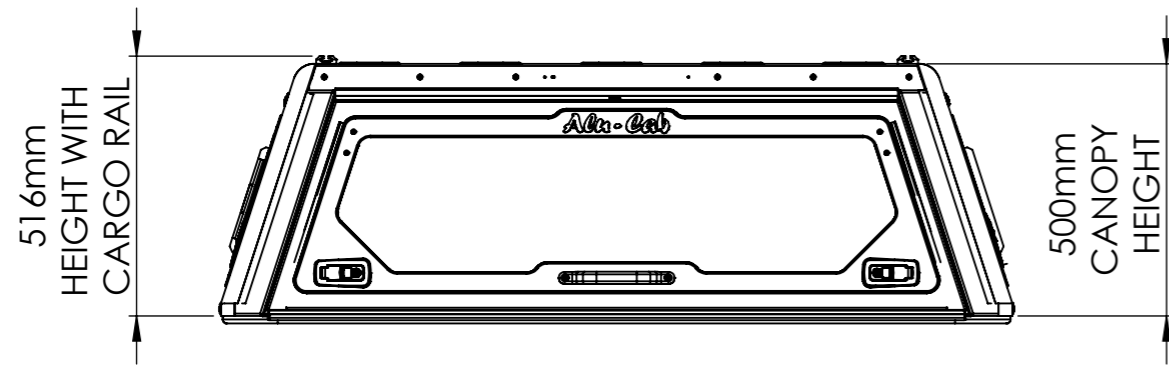


GENERAL ARRANGMENT ONLY



TOLERANCES TO ASSUME  
UNLESS INDICATED OTHERWISE

NOM DIMENSION RANGE (mm)	TOLERANCE
0.50 - 3.00	± 0.10
3.00 - 6.00	± 0.15
6.00 - 30	± 0.20
30 - 120	± 0.30
120 - 400	± 0.50
400 - 1000	± 1.00
1000 - 1000<	± 2.00

DESCRIPTION:  
**FORD RANGER T6 MAIN ASSEMBLY**

PROJECT:  
**C-FR12-D CANOPY G2 FORD RANGER 2012 DCAB**

DRAWN BY:  
System Administrator

DATE:  
2022-04-04

THE INFORMATION CONTAINED WITHIN THIS DOCUMENT  
IS THE INTELLECTUAL PROPERTY OF ALU-CAB (PTY) LTD

SHEET:  
A3

SCALE:  
1 of 1

DRAWING NO.  
**C2-D-FR12-A00-GA**

REV