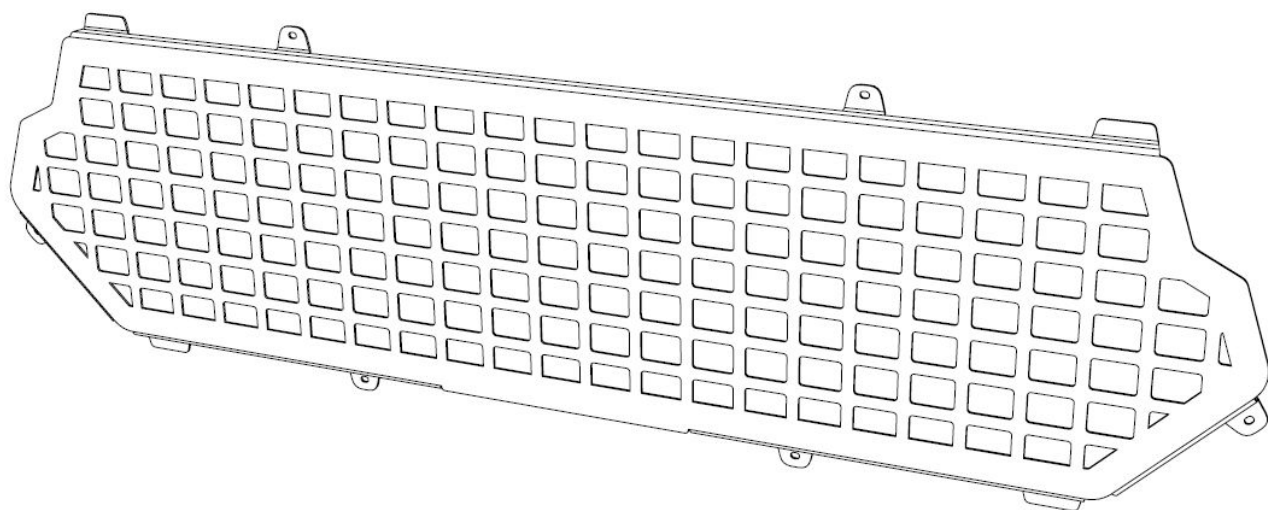


# FITMENT INSTRUCTIONS

**Alu-Cab™**



## GEN 2 CANOPY – REAR WINDOW SECURITY MOLLE

All rights reserved. No part of this document may be reproduced, translated, stored in a retrieval system, or transmitted, in any form or by any means, electronic, mechanical, photocopying, recording or otherwise, without prior written permission of the owner.

Review all instructions information carefully before installation.

Any damages, direct or incidental to the installer and/or property due to incorrect installation of any parts are the responsibility of the installer. Due to the various applications and fitment options available, the responsibility lies with the user to ensure all mounting points are secure and tight before every trip. If unsure, consult with your Distributor regarding the operations of our products.

Users are advised to be mindful of the load they are carrying and drive in accordance with road conditions.

DISCLAIMER

**Alu-Cab**

# Tools and Consumables Required for Installation of the Rear Window Security Molle

## 1. Required Tools

Tool	Application
Ratchet	Used to tighten down fasteners
8mm Socket	Used to tighten M5 fasteners
Drill	Used to drill mounting holes
T-40 Spline Socket	Used to remove OEM Bolts
3mm Allen Key	Used to tighten M5 button-heads
3mm Drill Bit	Used to drill pilot holes
5mm Drill Bit	Used to drill mounting holes
Square Extension	Used with ratchet
Countersink Bit	Used to de-burr on both sides of mounting holes after drilling

## 2. Consumables

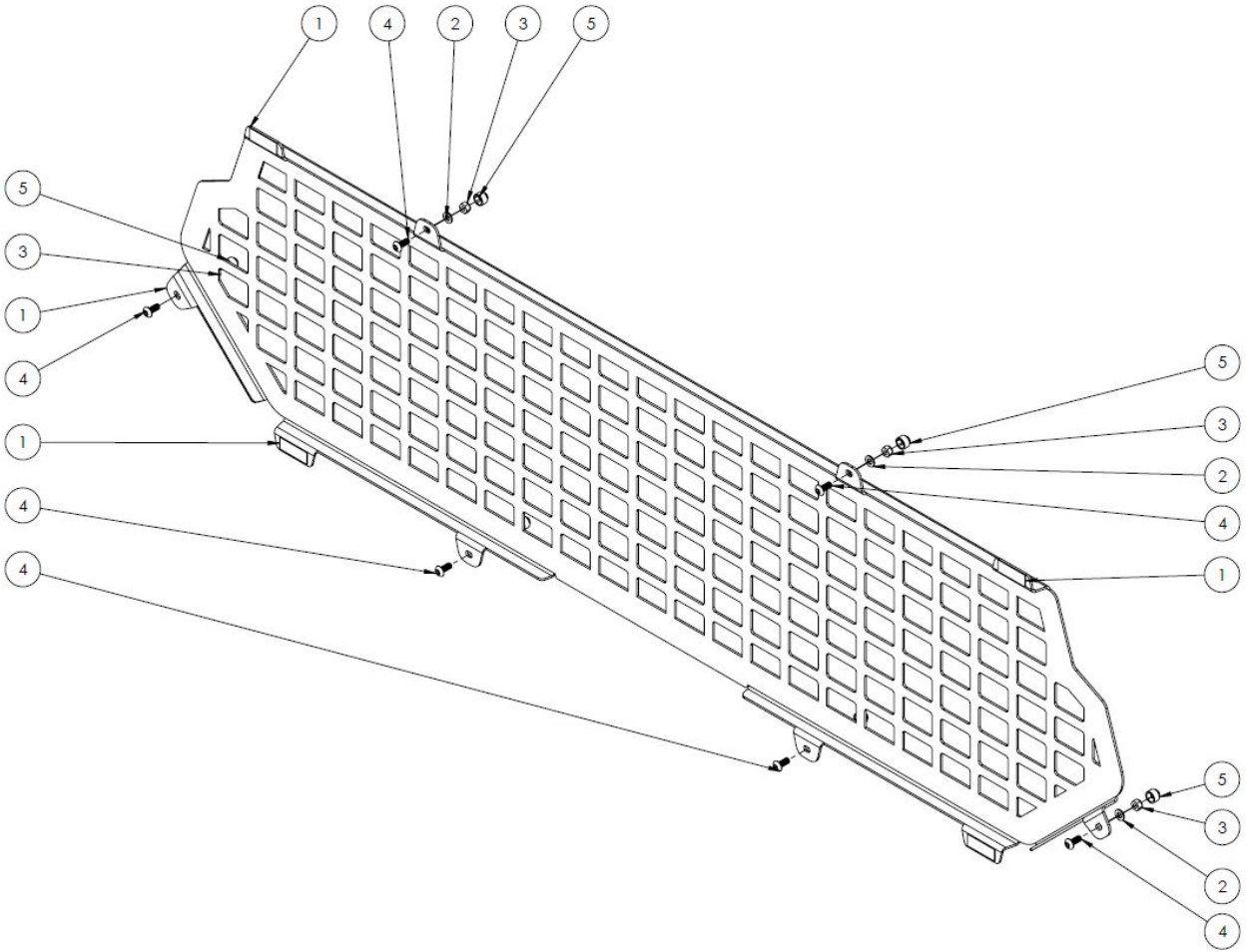
Consumable	Application
Black UV 521 Sikaflex	Used to seal the Molle fasteners when installing
Rags	Used to clean up after install



### **WARNING**

Always wear appropriate PPE ( Personal protection equipment) when fitting this product. Although the mounting kit is designed to be DIY, if you have any doubts or concerns, contact an accredited fitment centre to carry out the work. Alu-Cab will not be liable for any injury to persons, and/or damage to products and/or vehicles.

# Security Molle - Component Identification



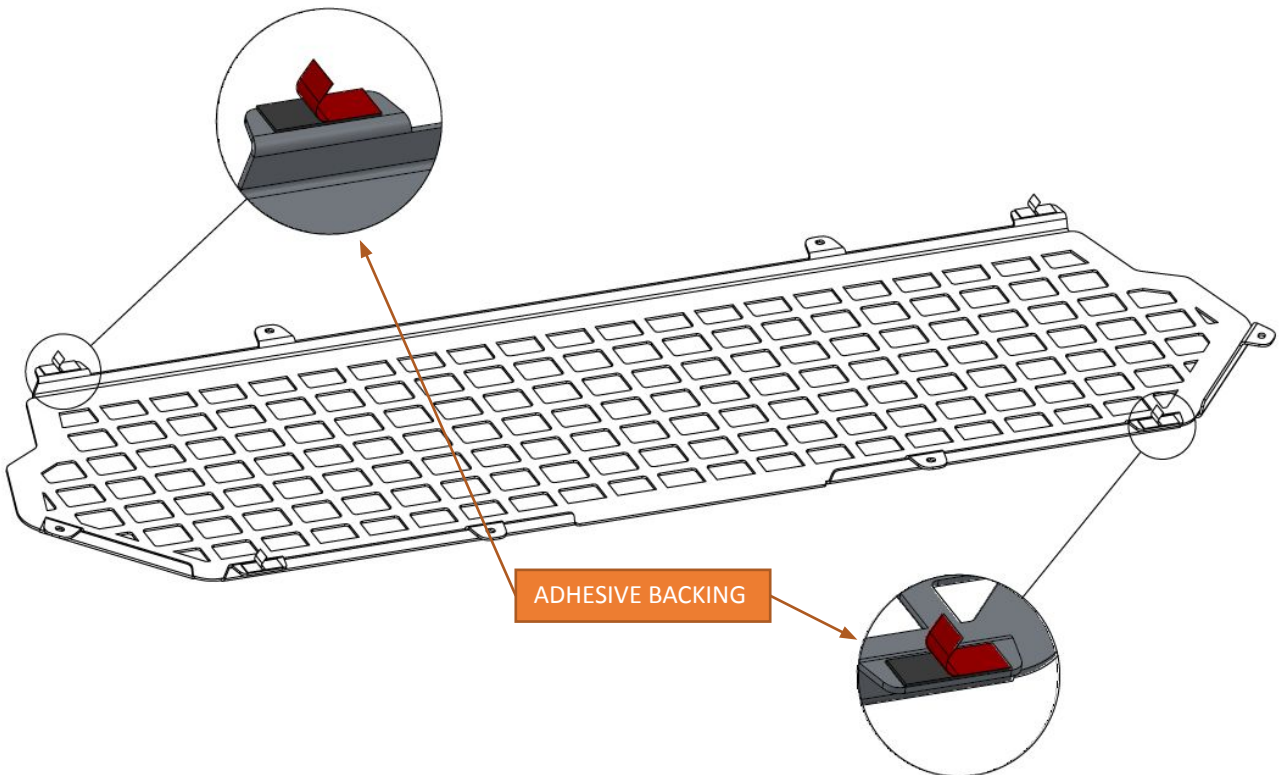
ITEM NO.	PART NUMBER	Revision	DESCRIPTION	QTY
1	C2-RWSM-A01		REAR WINDOW SECURITY MOLLE	1
2	FW-M5		M5x10mm FLAT WASHER S/S - DIN 125	6
3	NY-M5		M5 NYLOC NUT S/S	6
4	BHD-M5x12		Button Head Hex Drive Screw	6
5	NCAP-M5		NUT CAP-05mm	6

# Security Molle – Installation

## Step 1: Preparation

Before starting ensure that all surfaces of the workable area are dust and oil free. This is especially the case for the inside of the glass.

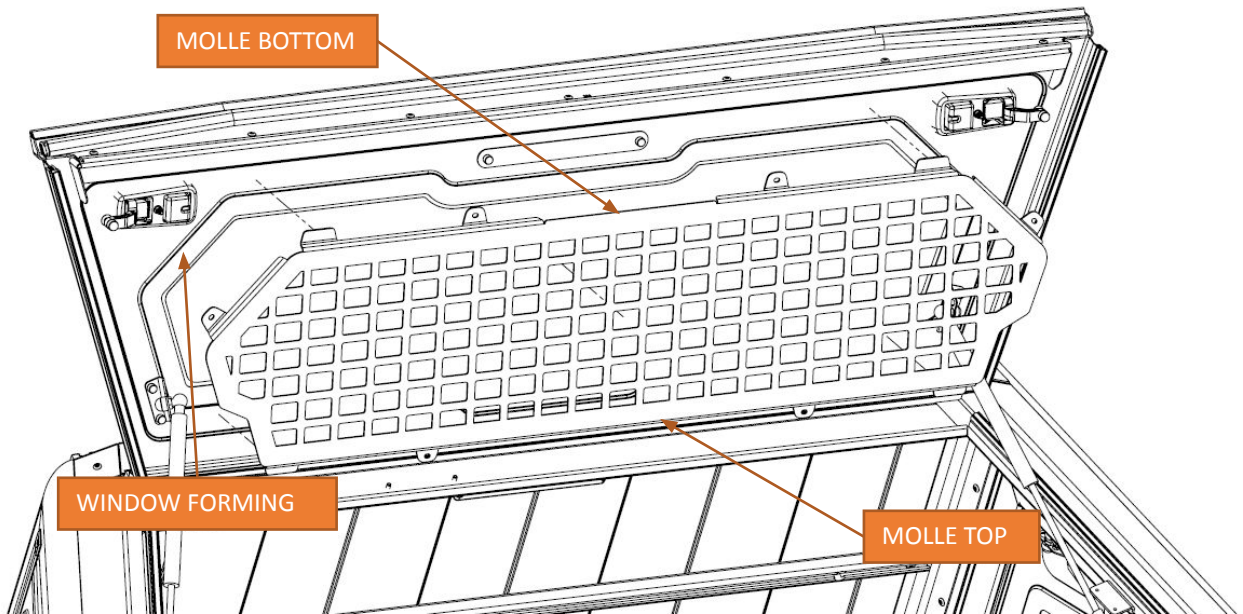
## Step 2: Removal of Adhesive Tape Backing



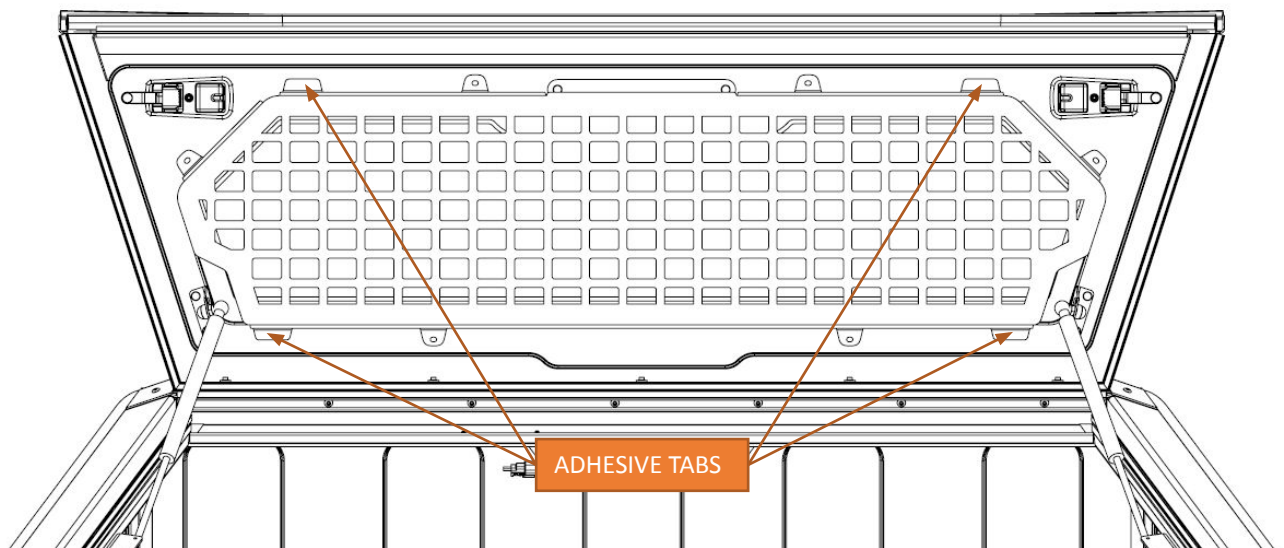
Peel off the backing of the adhesive tape on all four tabs.

# Security Molle – Installation

## Step 3: Pre-mounting Security Molle



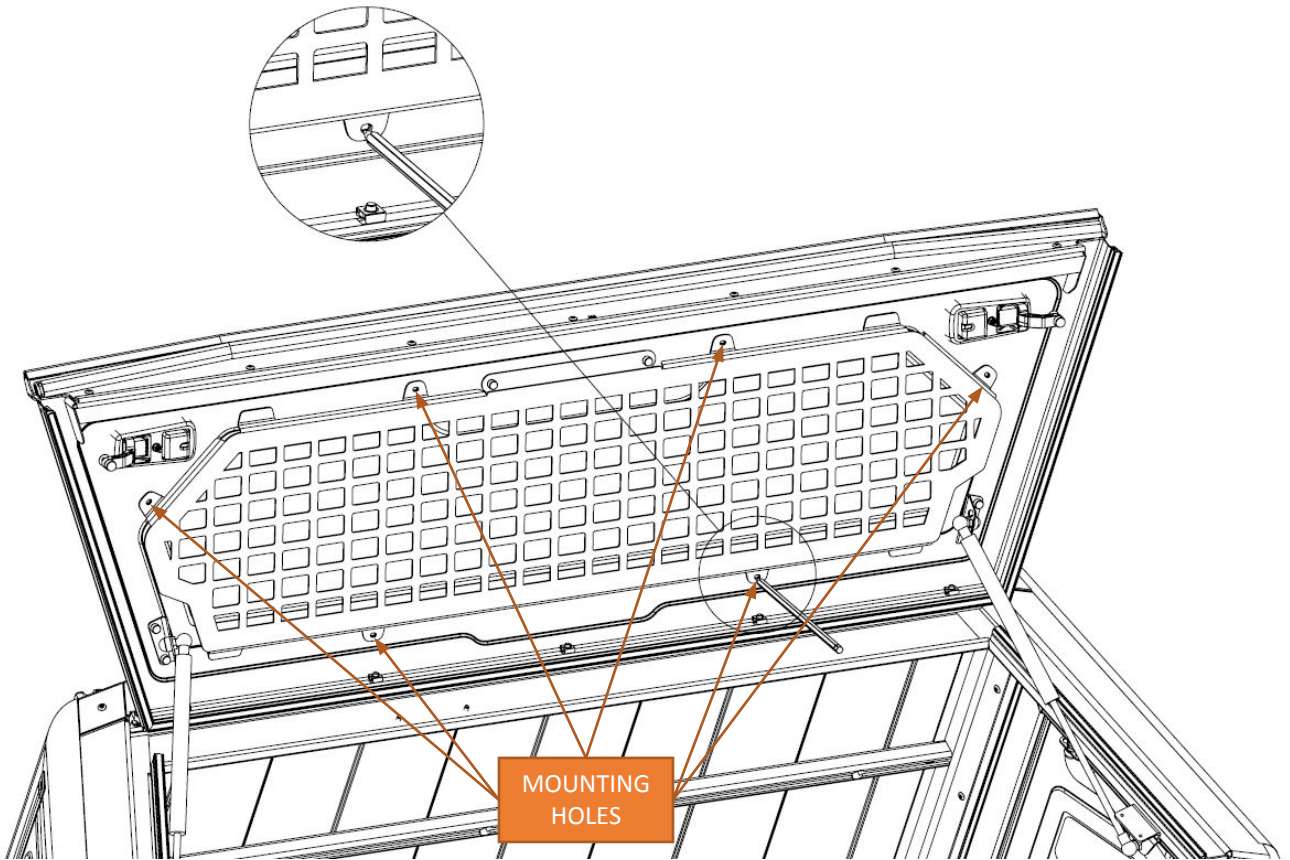
Proceed to pre-mount the molle. Use the perimeter of the window forming as a guide to centrally locate molle, taking note of which edge is up and which is down.



Once adequately located, put pressure on the four adhesive tabs to ensure the grid will not release during the next step.

# Security Molle – Installation

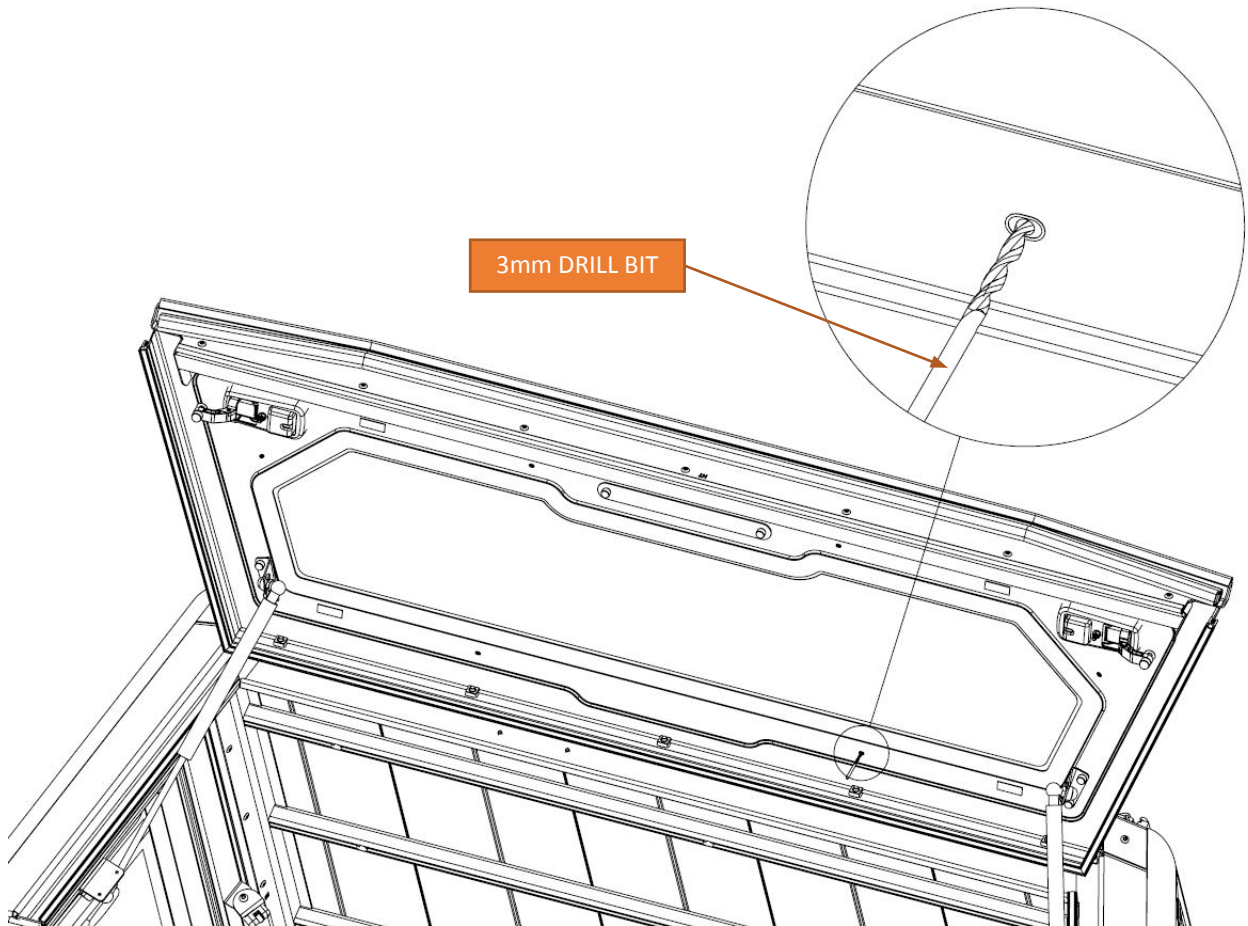
## Step 4: Marking Mounting Holes



Mark out mounting holes with a sharp pencil by tracing around the inner perimeter of the hole.

# Security Molle – Installation

## Step 5: Drilling Pilot Holes

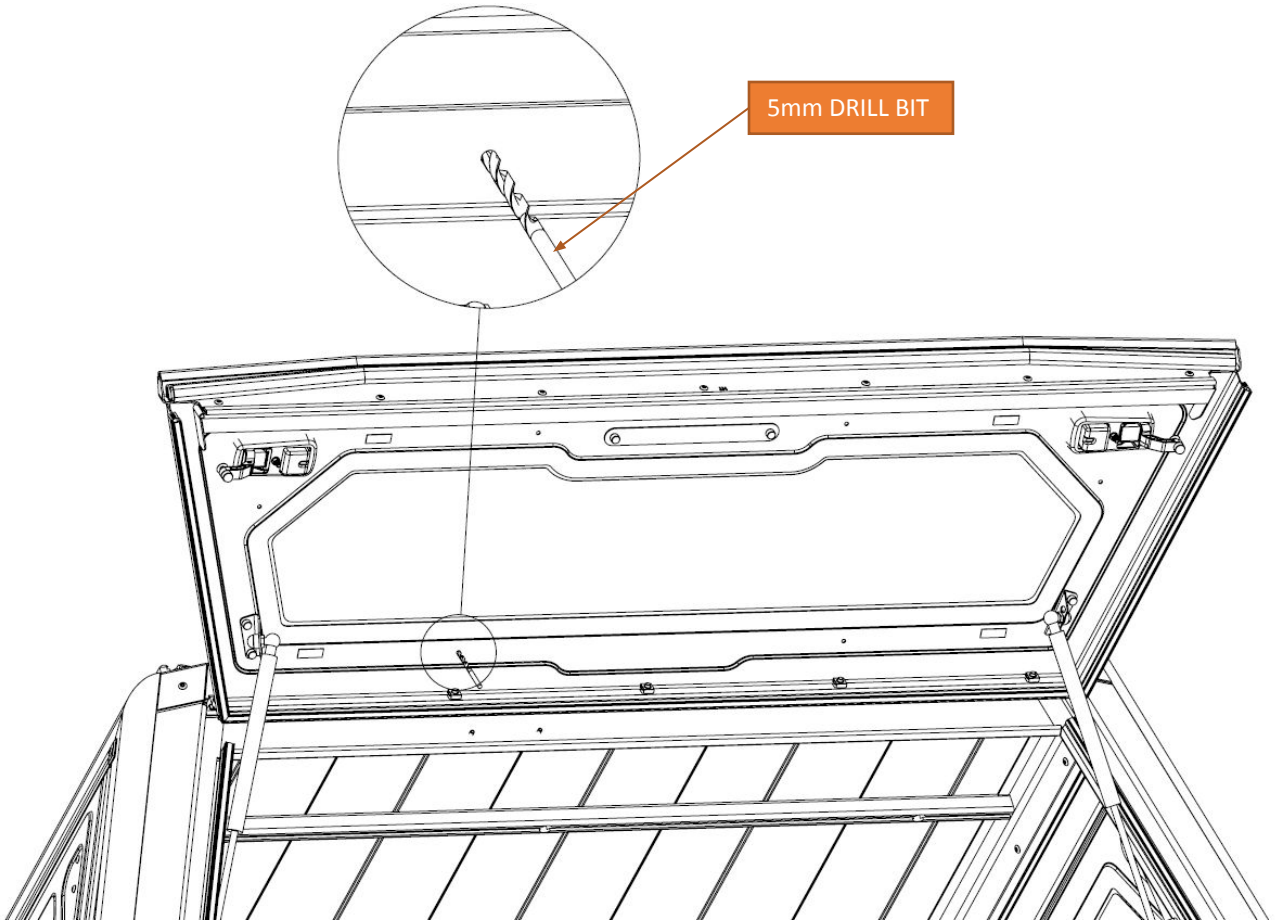


After marking out the mounting hole, remove the mollé by pulling from the four adhesive tabs. Use a 3mm drill bit and drill in the centre of the marking that were made in the previous step.

**\*NOTE** When drilling pilot holes be aware on what is on the other side of the panel to prevent accidental damage of the canopy and its accessories.

# Security Molle – Installation

## Step 6: Drilling Mounting Holes

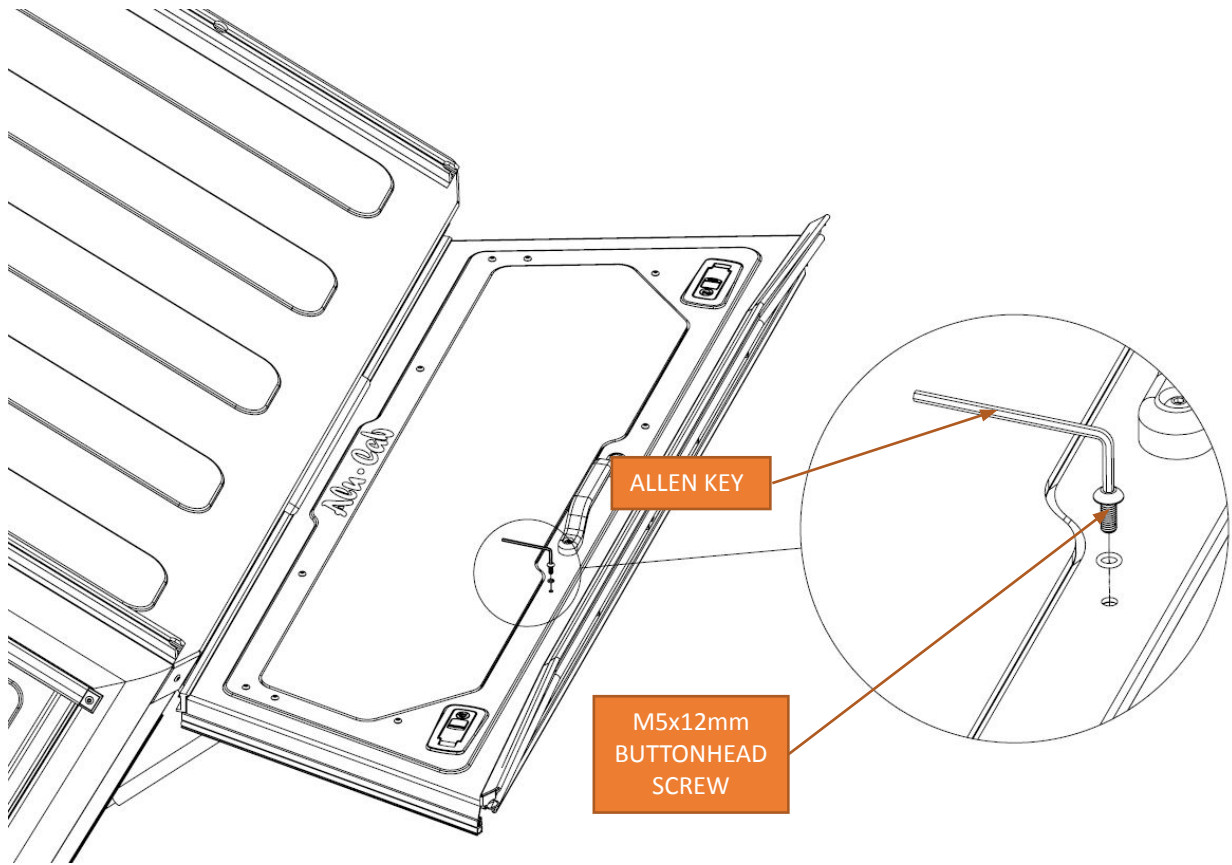


After drilling pilot holes, proceed with drilling the mounting holes using a 5mm drill bit. Once complete, de-burr both sides of the mounting hole using a countersink bit or de-burring tool.



# Security Molle – Installation

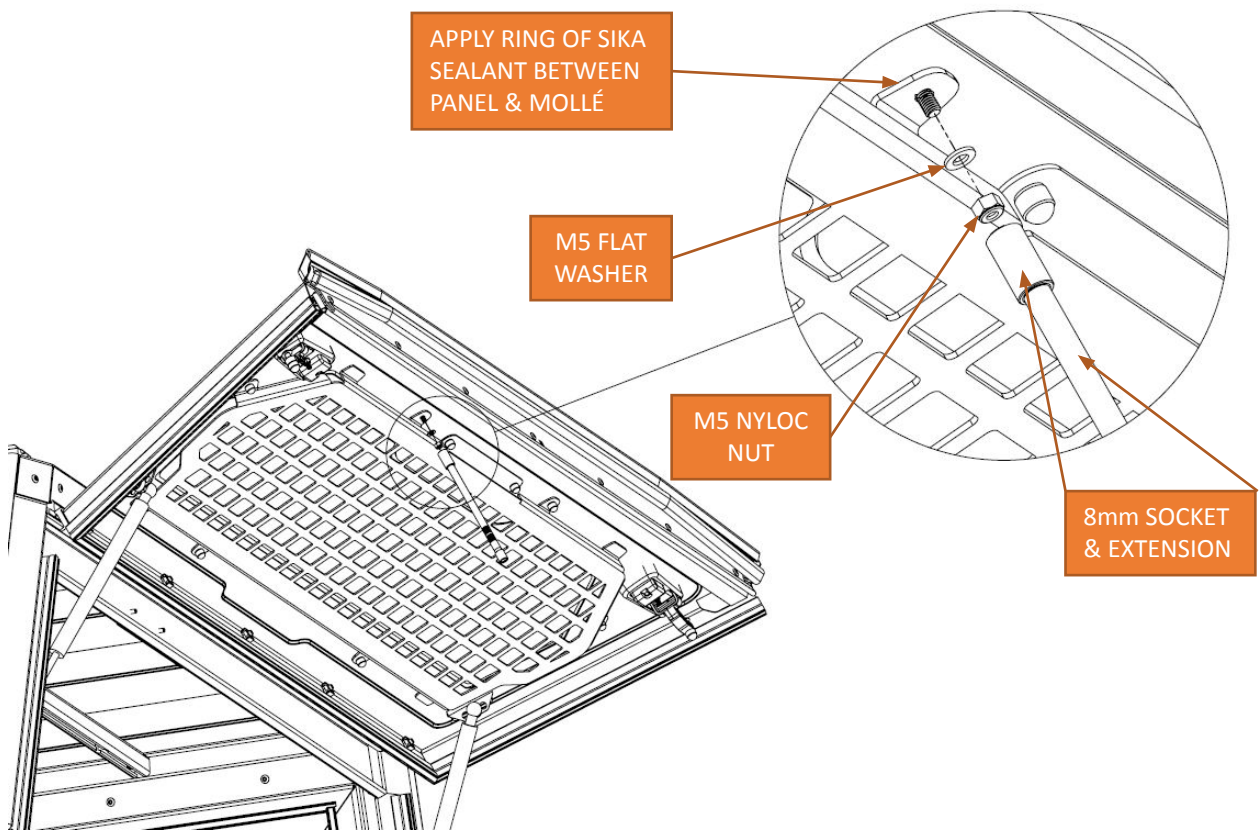
## Step 7: Fastening



While the door is open drop in the supplied M5x12mm screws into all six mounting holes. Make sure to add a ring of Sika sealant around the inner side of the mounting hole at the base of each screw.

Re-mount the molle, being sure to align each mounting hole with its corresponding screw.

## Security Molle – Installation

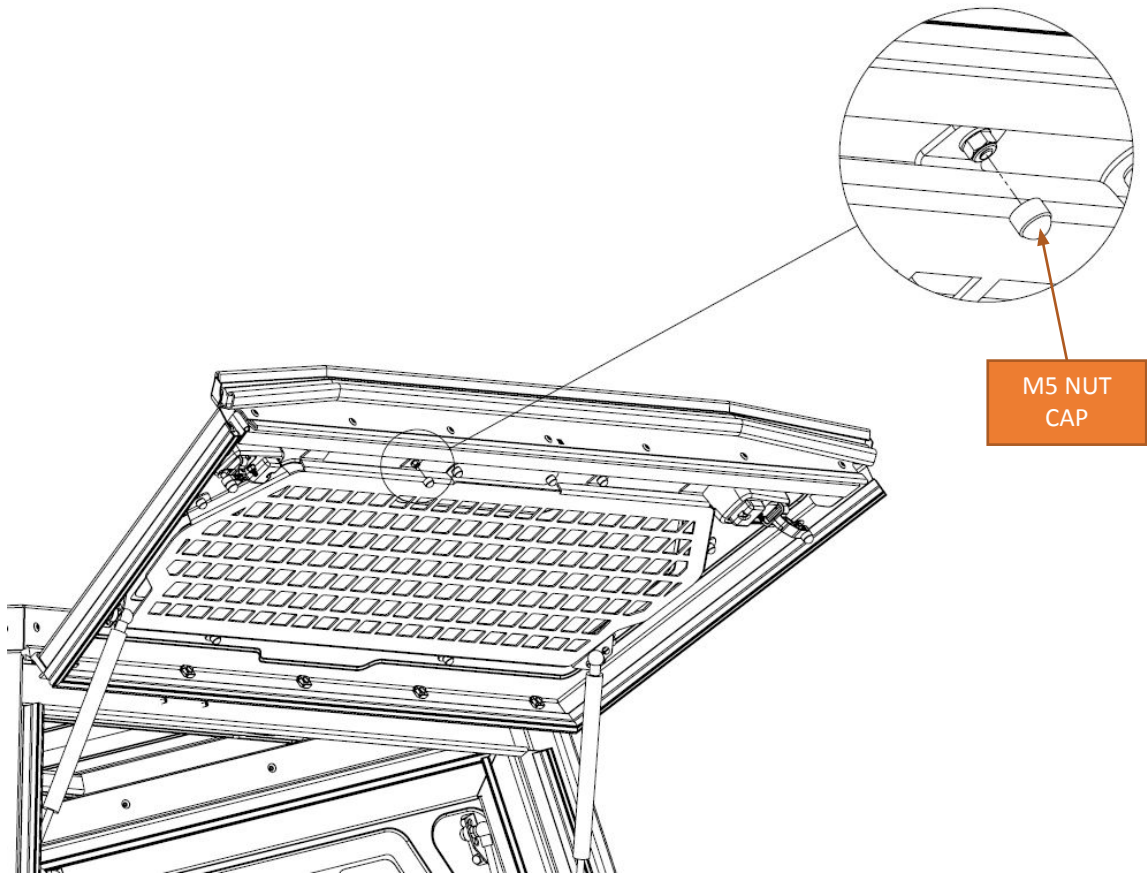


After the molle has been re-mounted hand-tighten supplied M5 flat washer and M5 Nyloc nut onto the thread of the screw to prevent the washer from falling off while the door is still open. Repeat this process on all six mounting points.

Using the 3mm allen key, ratchet and 8mm socket tighten the nuts on all six mounting points. Be sure to keep the allen key stationary and tighten with the ratchet only. This is in order to created a good seal with the Sika.

# Security Molle – Installation

## Step 8: Finishing



Finish off the installation with the supplied M5 plastic nut caps

## Installation Completed

Your installation of the Security Molle is now completed.

### **Congratulations!**

Please remember that any areas where there is Sikaflex might still be sticky and should cure for a minimum of 24 hours before going on any overlanding trip.

From us at the Alu-Cab Team:

**Happy Overlanding!**