

# FITMENT INSTRUCTIONS

**Alu-Cab**<sup>™</sup>



## Canopy Camper Water Tank Kit (CC-A-WT-KIT)

All rights reserved. No part of this document may be reproduced, translated, stored in a retrieval system, or transmitted, in any form or by any means, electronic, mechanical, photocopying, recording or otherwise, without prior written permission of the owner.

Review all instructions information carefully before installation.

Any damages, direct or incidental to the installer and/or property due to incorrect installation of any parts are the responsibility of the installer. Due to the various applications and fitment options available, the responsibility lies with the user to ensure all mounting points are secure and tight before every trip. If unsure, consult with your Distributor regarding the operations of our products.

Users are advised to be mindful of the load they are carrying and drive in accordance with road conditions.

DISCLAIMER

**Alu-Cab**

## 1. Canopy Camper Water Tank Kit – Tools, Fasteners & Materials

The tables below show the equipment, i.e. tools and fasteners required to start the Canopy Camper Water Tank Kit fitment into a Canopy Camper.

### Tools & Items Required:

TOOLS	
2X 13MM SPANNERS	THREAD TAPE
13MM SOCKET AND RATCHET	DRILL
FLAT SCREW DRIVER	20MM DRILL BIT/HOLESAW
PHILLIPS SCREW DRIVER	

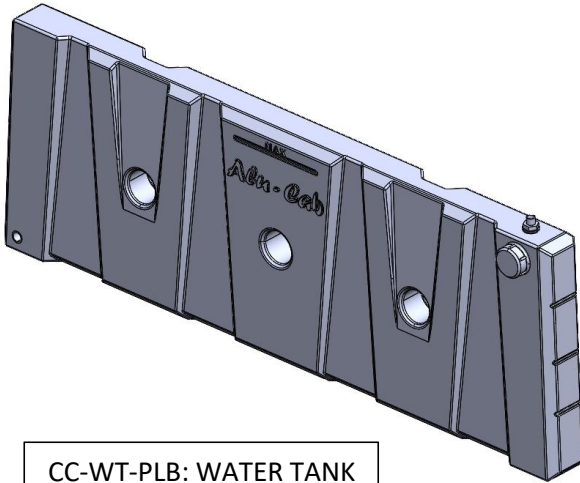
### Fasteners supplied: (Included with the Canopy Camper Water Tank Kit)

ITEM	QTY
M8 NYLOC NUT S/S	32
M8 NUT CAPS	32
M8 FLAT WASHER S/S	32
M8X25 HEX BOLT S/S	9
M8X20 HEX BOLT S/S	16
M8X16 HEX BOLT S/S	8

### Hardware Required: (Included with the Canopy Camper Water Tank Kit)

ITEM	DESCRIPTION	QTY
CC-A-WT-PLB	WATER TANK	1
PVC-PLUG-12	1/2" NPT PLUG (MALE)	3
442-UNI-MNT-KIT-ASSY-00	MOUNTING KIT - UNIVERSAL	1
442-BRE-ASSY-00	BREATHER ASSEMBLY	1
442-UNI-KIT-TAP-ASSY-01	TAP ASSEMBLY	1

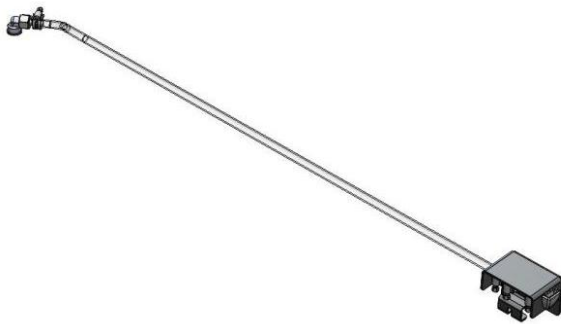
## Component Identification (Not to Scale)



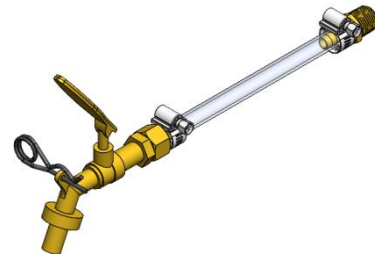
CC-WT-PLB: WATER TANK  
X1



442-UNI-MNT-KIT-ASSY-00:  
MOUNTING KIT - UNIVERSAL  
X1



442-BRE-ASSY-00:  
BREATHER ASSEMBLY  
X1



442-UNI-KIT-TAP-ASSY-01:  
TAP ASSEMBLY  
X1



PVC-PLUG-12:  
1/2" NPT PLUG (MALE)  
X3



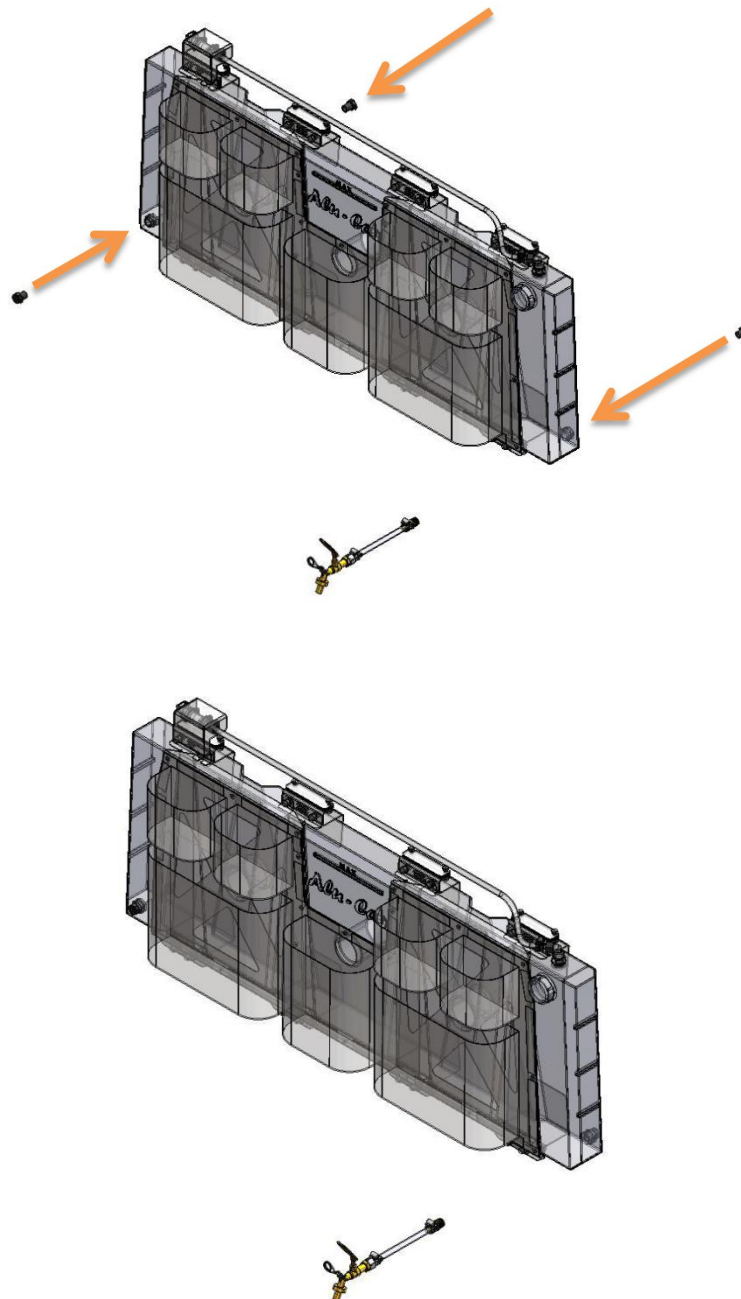
### WARNING

Always wear appropriate PPE ( Personal protection equipment) when fitting this product. Although the mounting kit is designed to be DIY, if you have any doubts or concerns, contact an accredited fitment centre to carry out the work. Alu-Cab will not be liable for any injury to persons, and/or damage to products and/or vehicles.

## 2. Fitting the Canopy Camper Water Tank Kit

### 2.1 Plug installation

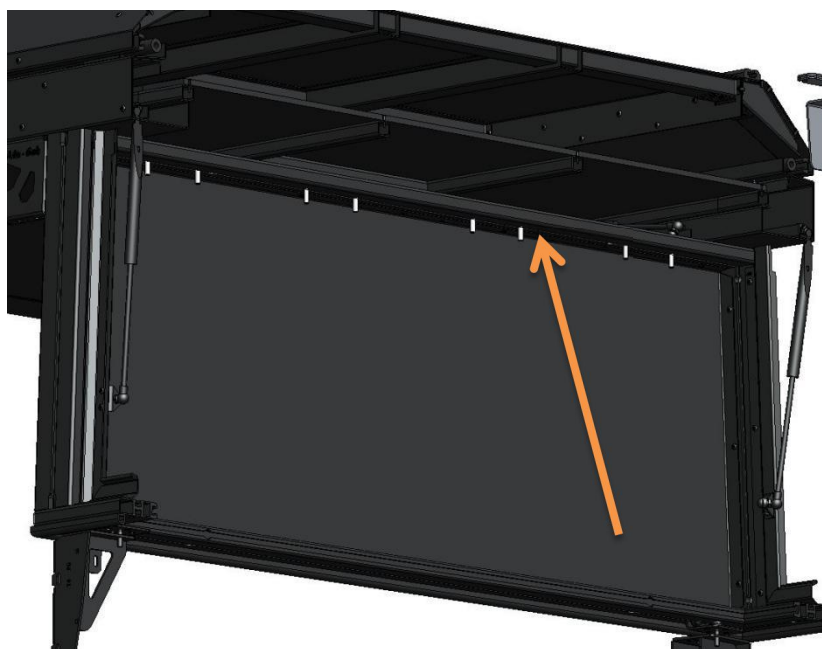
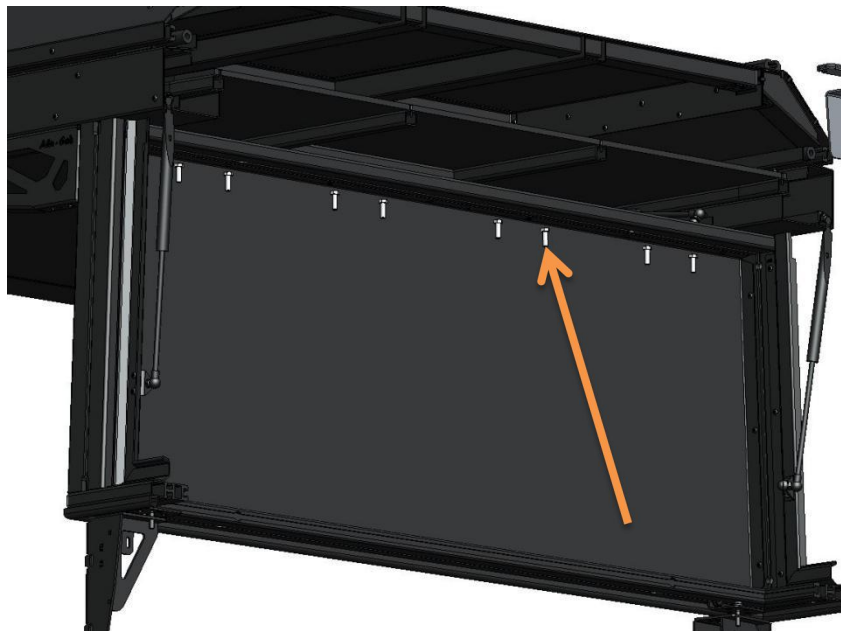
The first step to install the Canopy Camper Water Tank Kit is to fit the 3 supplied Plugs to the 3 Outlets that you will not be using for your Tap Assembly, on the Water Tank:



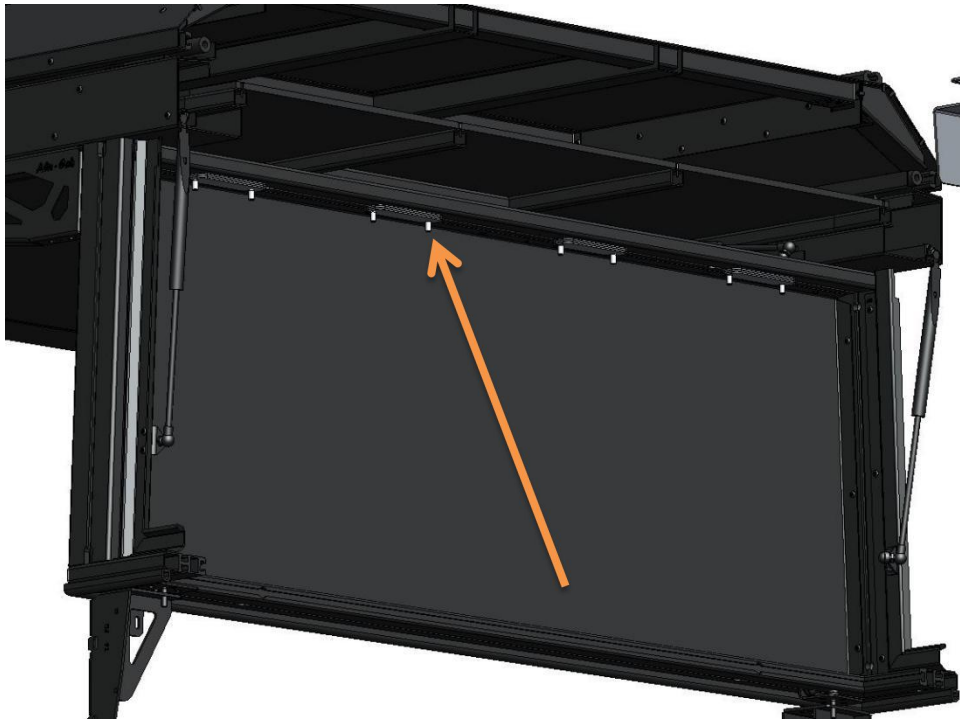
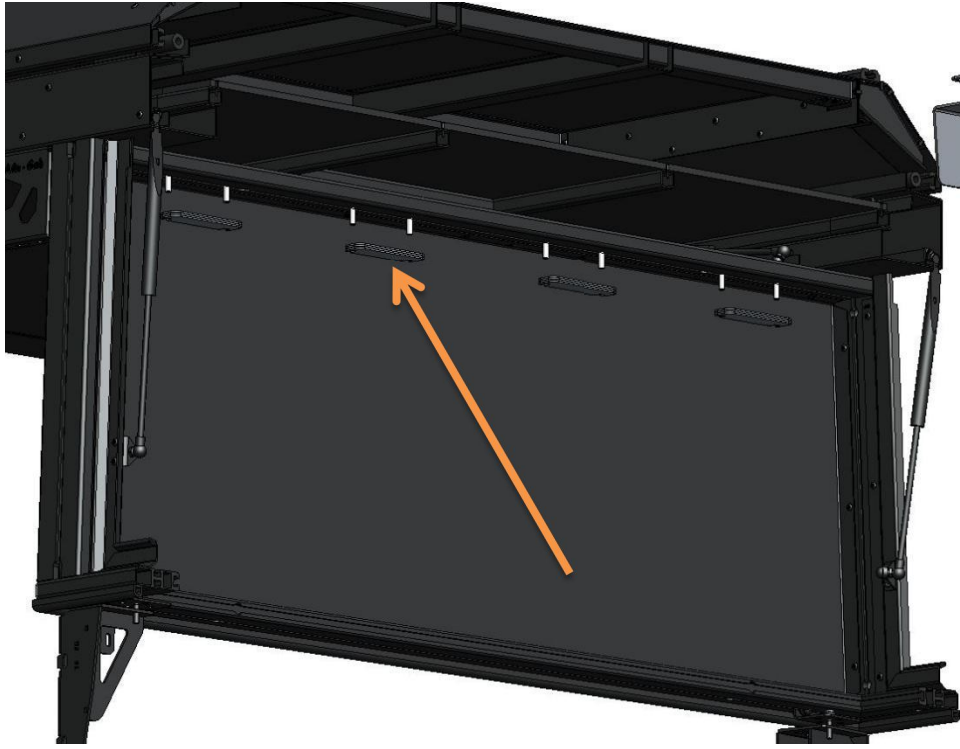
Add thread tape or thread to the Plug and screw them into the 3 unused Outlets

## 2.2 Top Mounting Brackets

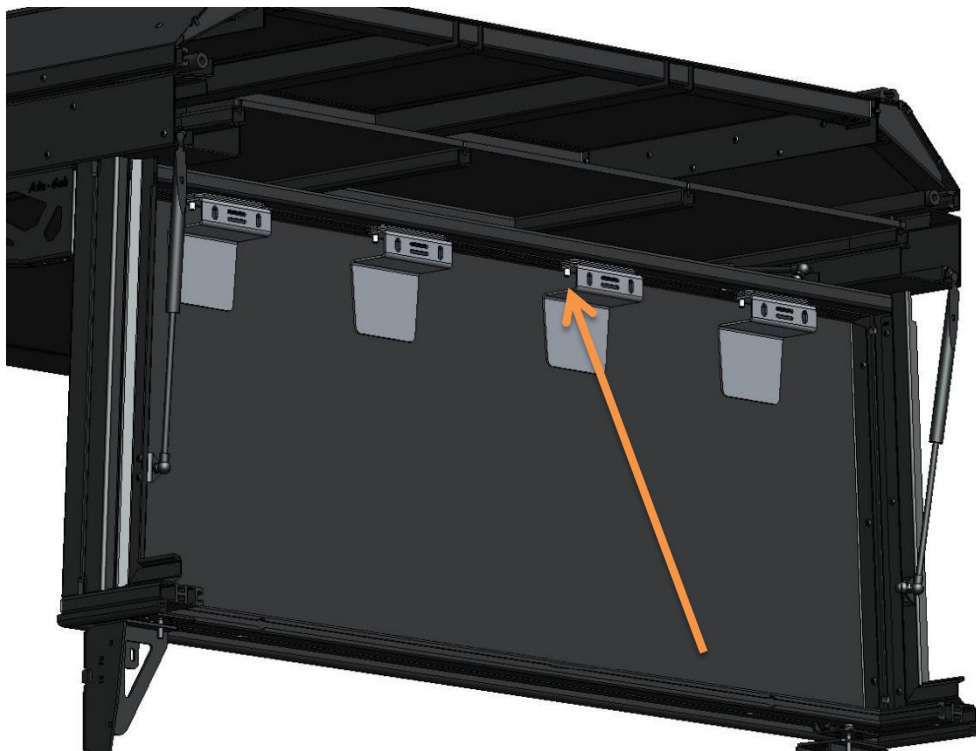
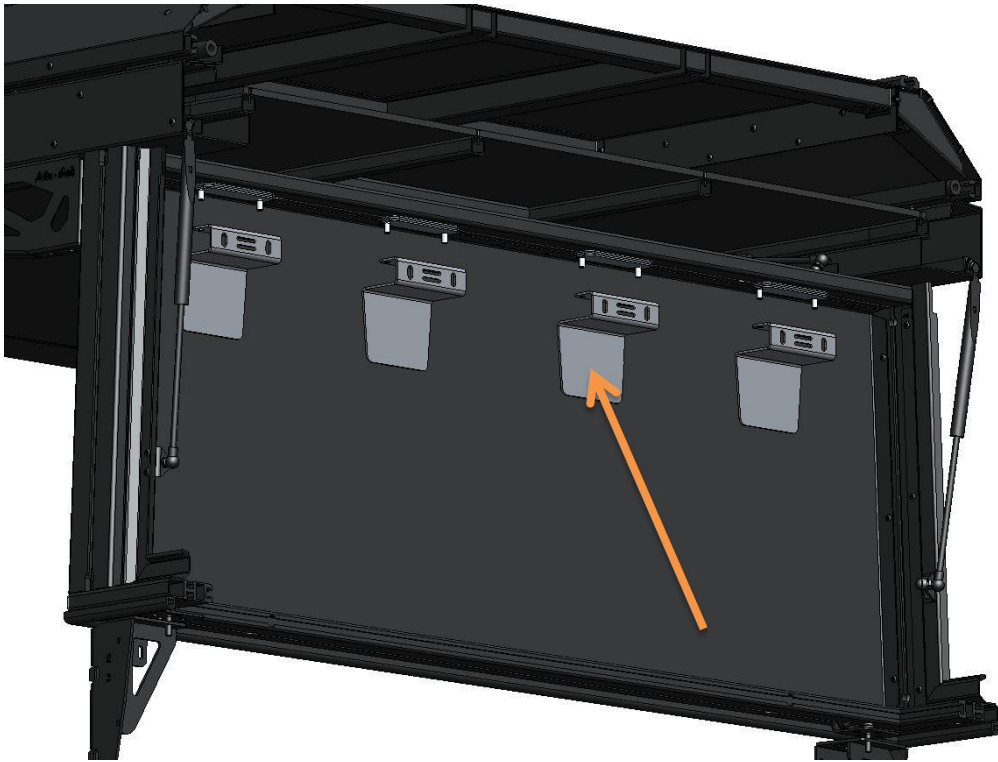
The next step to install the Canopy Camper Water Tank Kit is to fit and assemble the Top Mounting Bracket assembly:



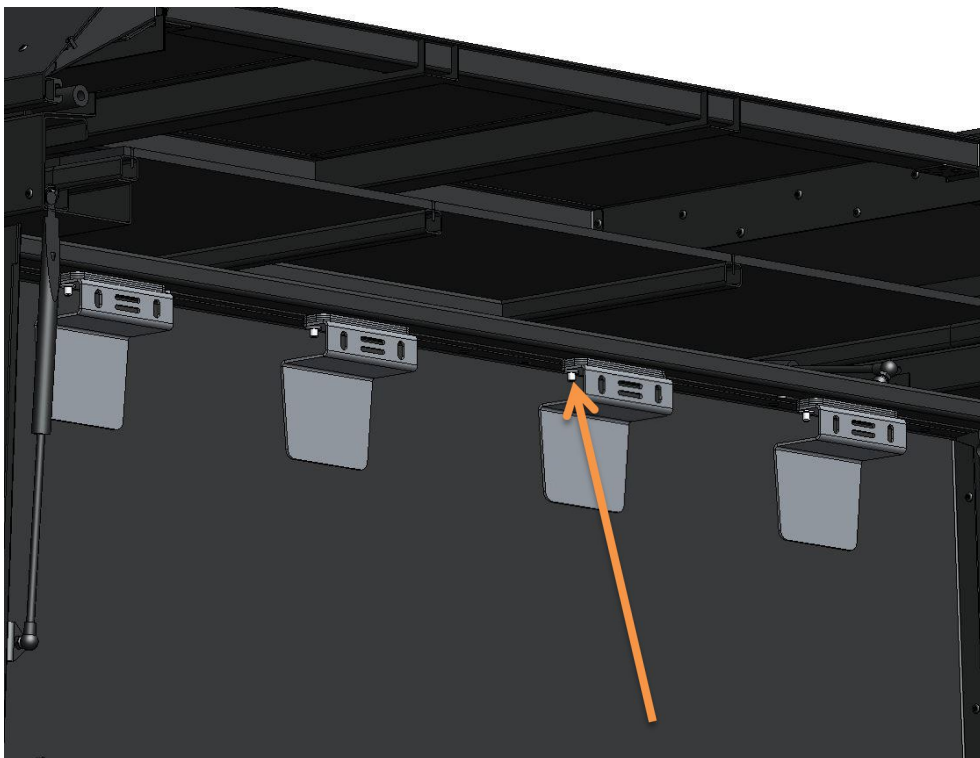
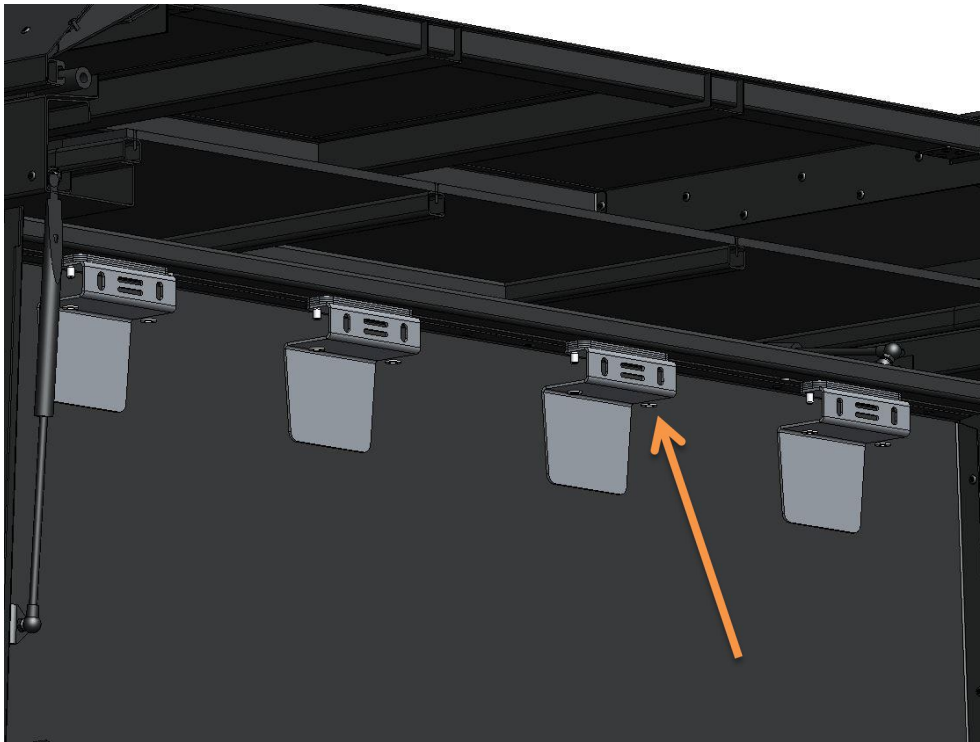
Insert 8x M8x25 Hex Head Screws into the top Front Load Bar Frame Nut Slot of the Canopy Camper



Place the Aluminium Shims with the corresponding M8x25 Hex Head Screws

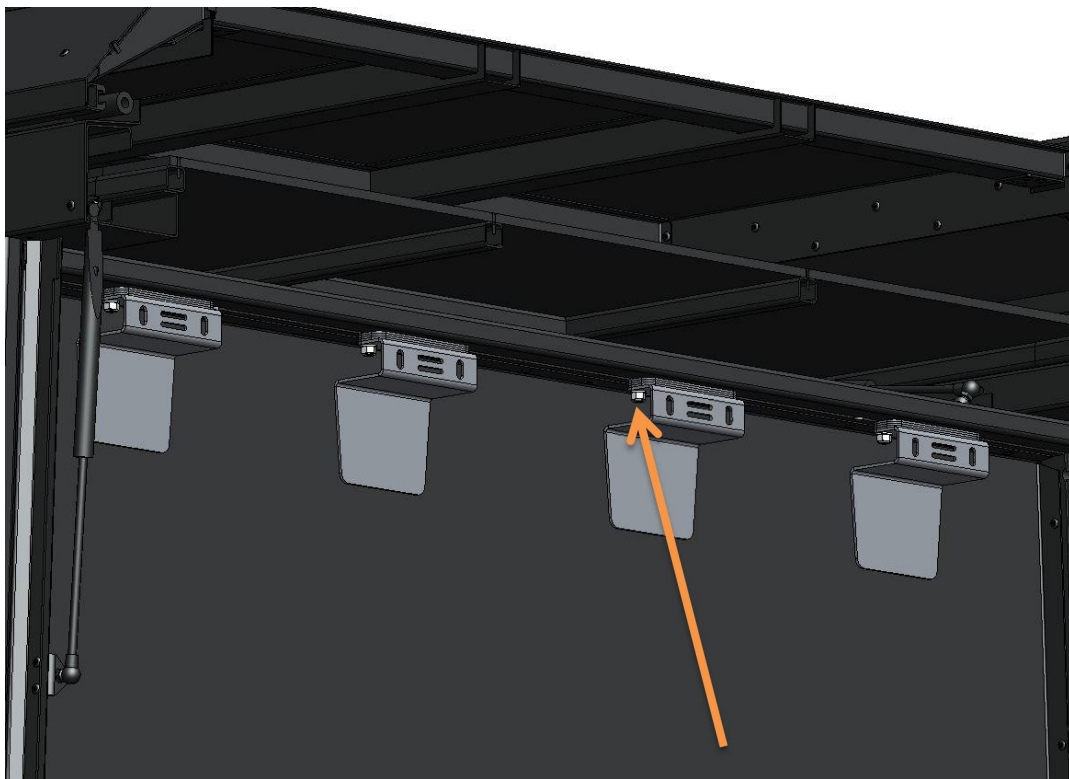
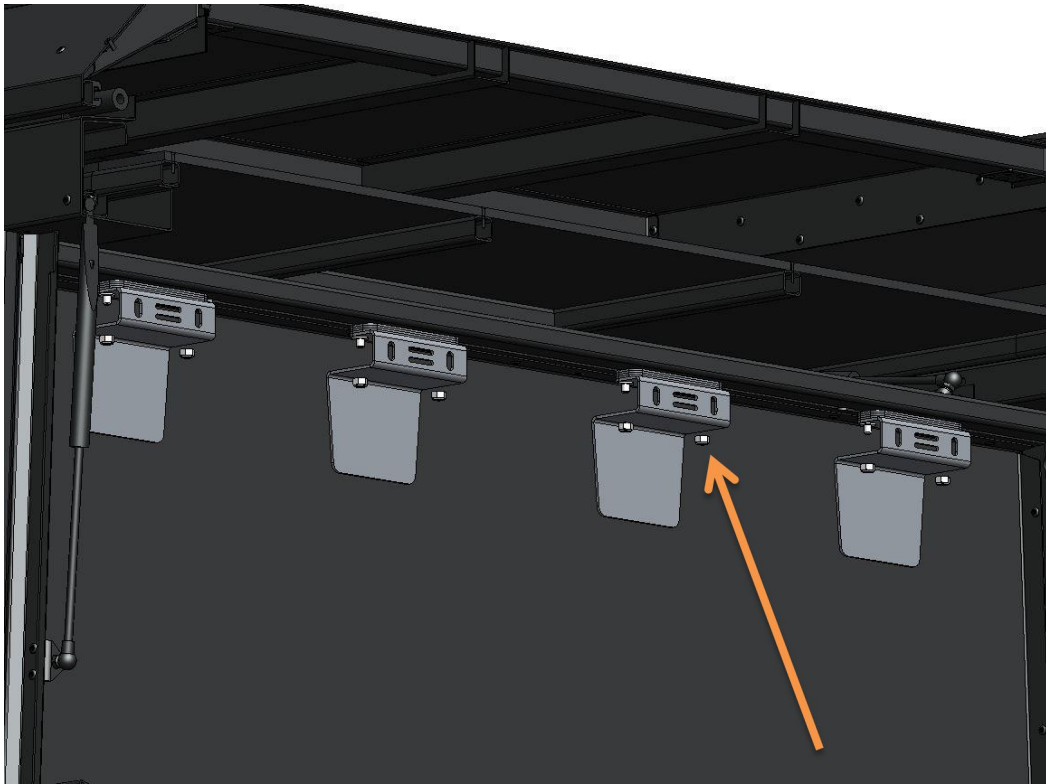


Place the Top Mounting Brackets corresponding with the M8x25 Hex Head Screws and Shims



Place M8 Flat Washers on the M8x25 Hex Head Screw Shafts

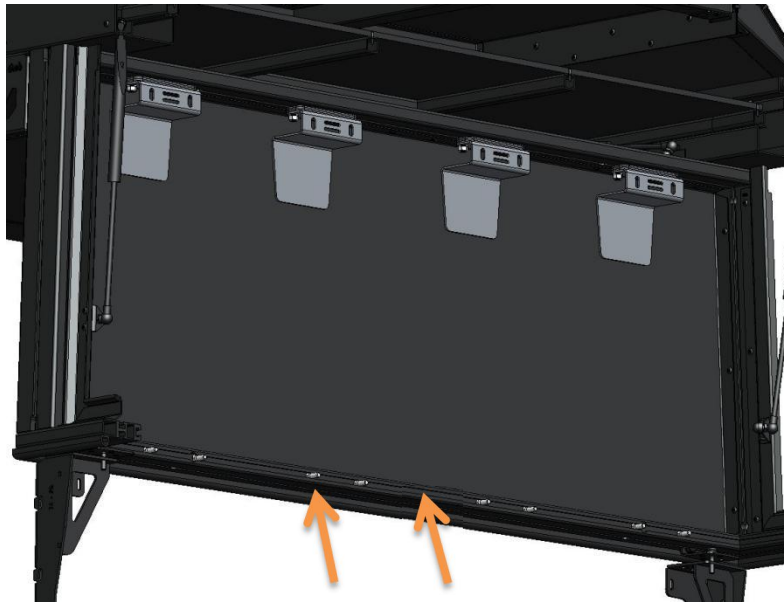




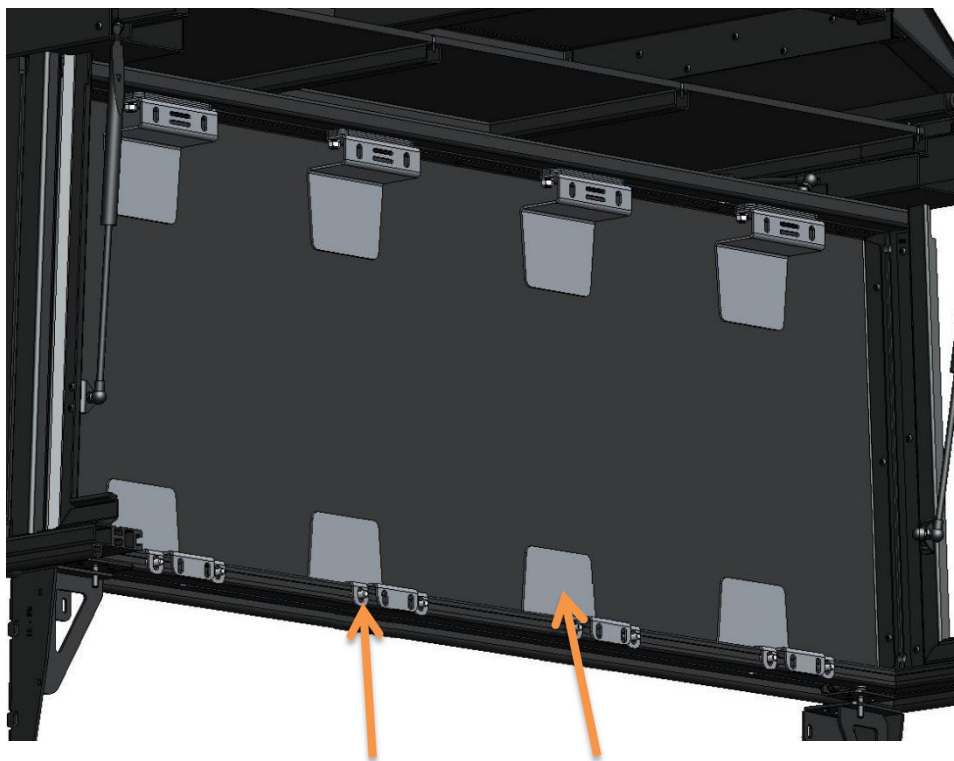
Loosely secure the Top Mounting Bracket assembly with the provided M8 Nyloc Nuts

### 2.3 Bottom Mounting Brackets

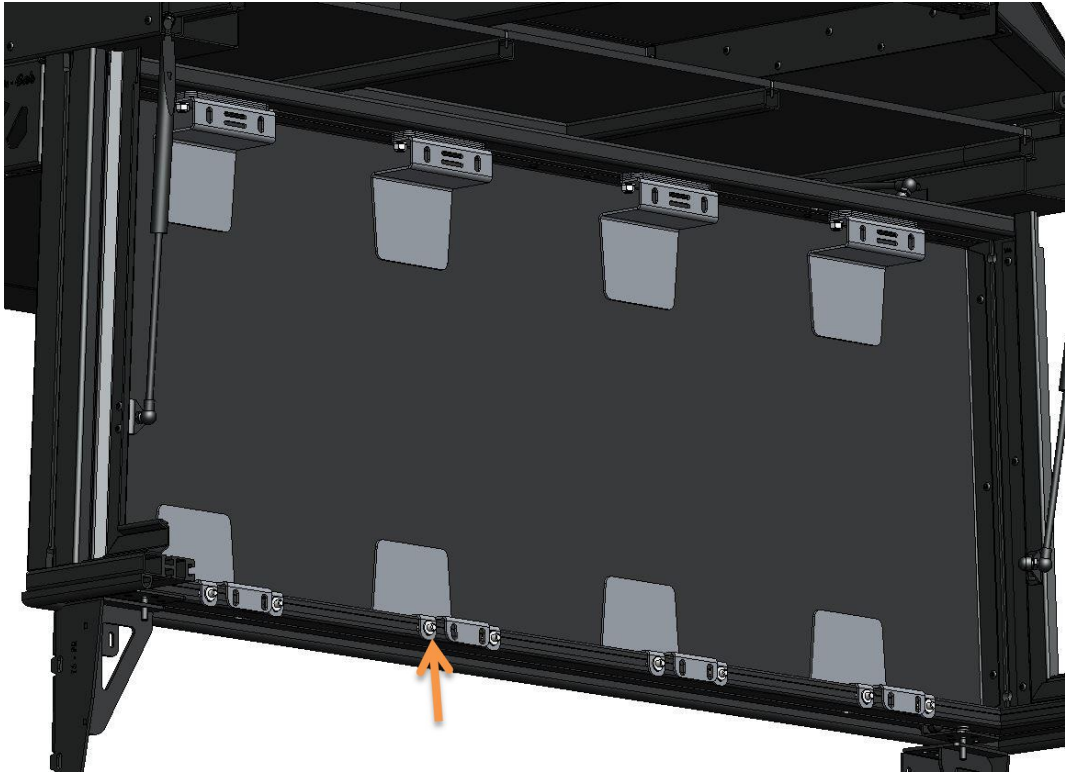
The next step to install the Canopy Camper Water Tank Kit is to fit and assemble the Bottom Mounting Bracket assembly:



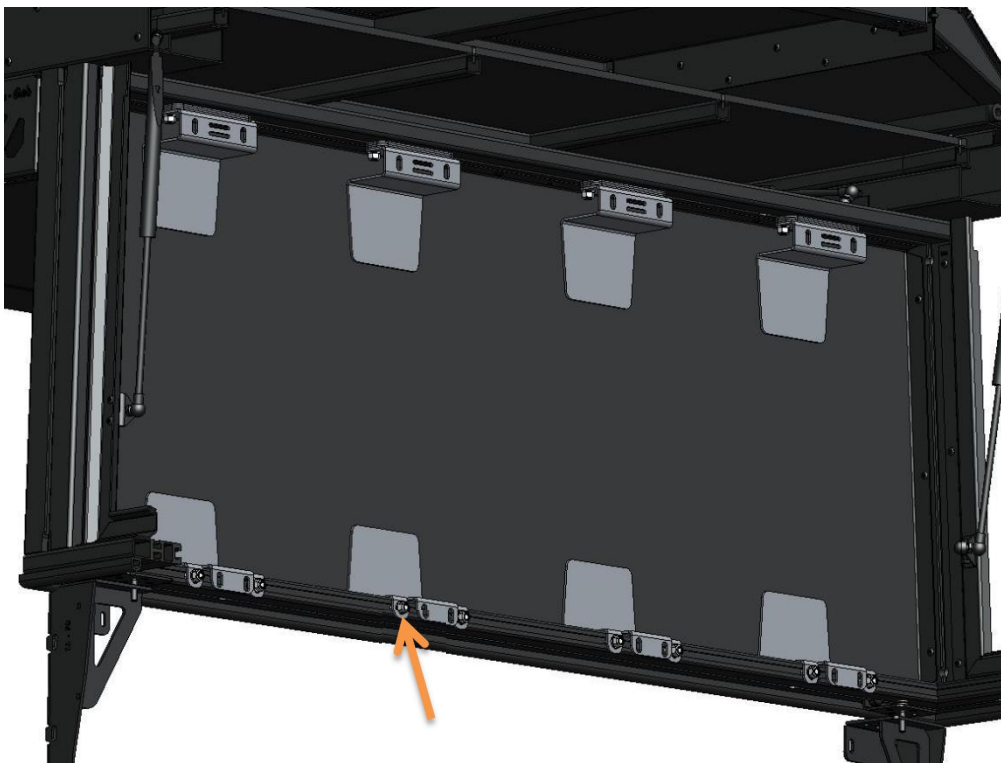
Insert 8x M8x16 Hex Head Screws into the bottom Front Load Bar Frame Nut Slot of the Canopy Camper



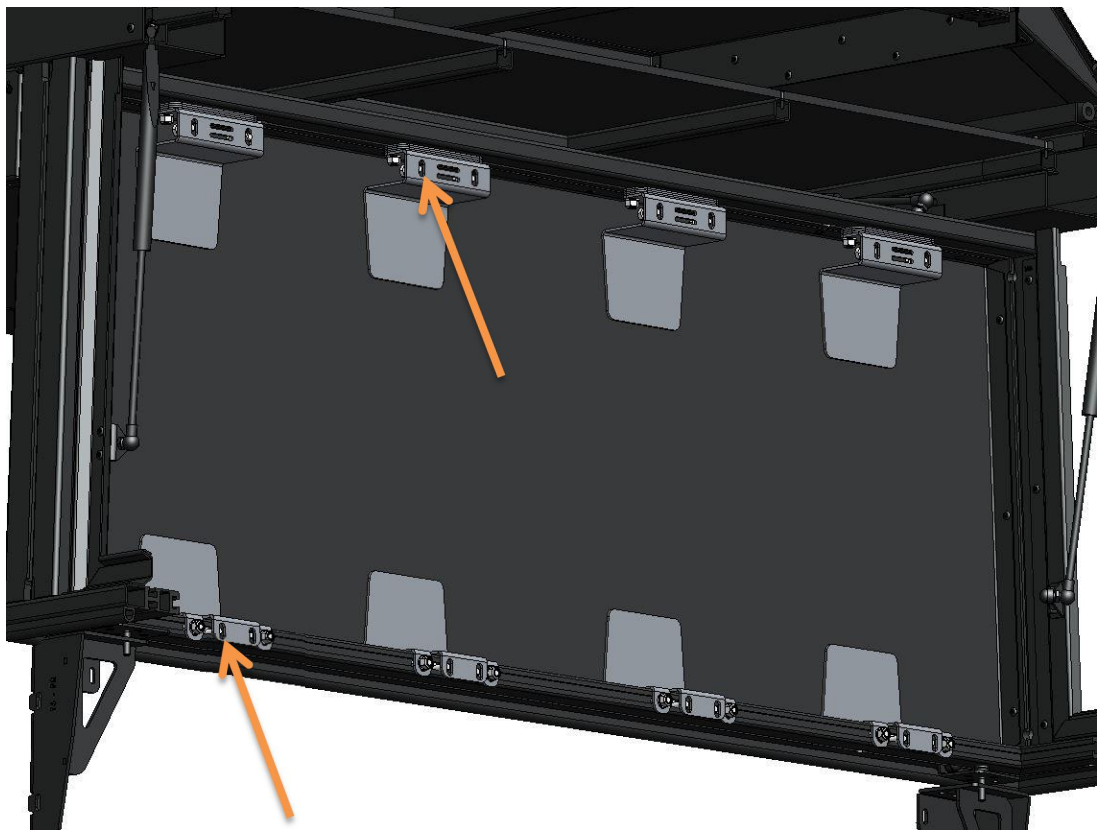
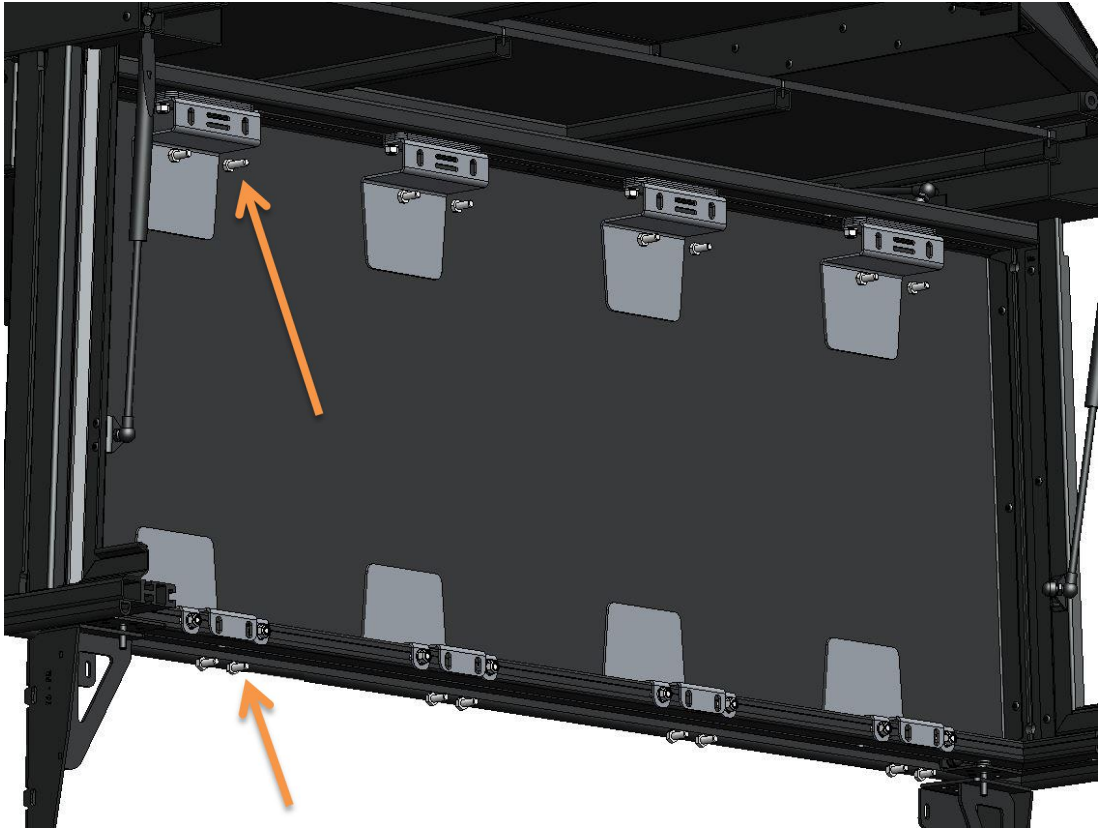
Place the Bottom Mounting Brackets with the corresponding M8x16 Hex Head Screws

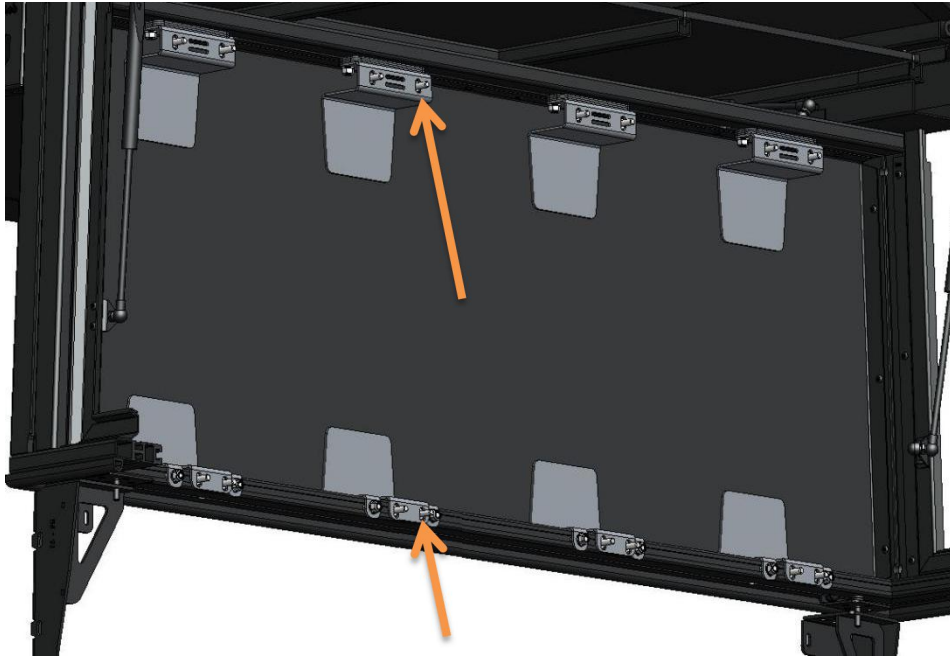


Place M8 Flat Washers on the M8x16 Hex Head Screw Shafts



Loosely secure the Bottom Mounting Bracket assembly with the provided M8 Nyloc Nuts





Insert 16x M8x20 Hex Head Screws into the shown slots

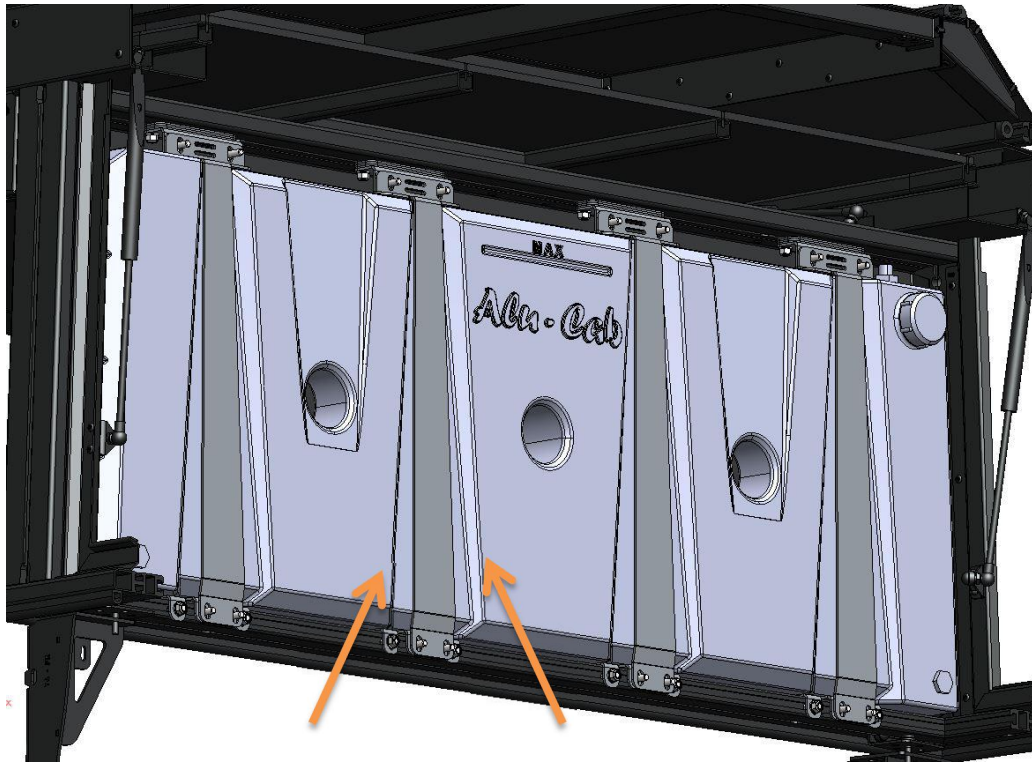
## 2.4 Tank and Top Down Mounting Brackets

**\*NB - If you have purchased the Canvas Bag Assembly, refer to Fitment Instruction CC-A-WT-CB-KIT for the final steps.**

The next step to install the Canopy Camper Water Tank Kit is to fit and assemble the Top Down Mounting Bracket assembly and place the Water Tank:



Place the Water Tank as shown



Place the Top Mounting Down Brackets over the Water Tank, between the Tank Ridges, as shown.

Shift and position the Bottom, Top and Down brackets to correspond and align centrally with the Water Tank recesses



Place 7x M8 Flat Washers on the corresponding M8 Screws as shown (Leave one fastener open, as this will be the Breather Assembly mounting location - The ideal location is indicated with a circle above.)



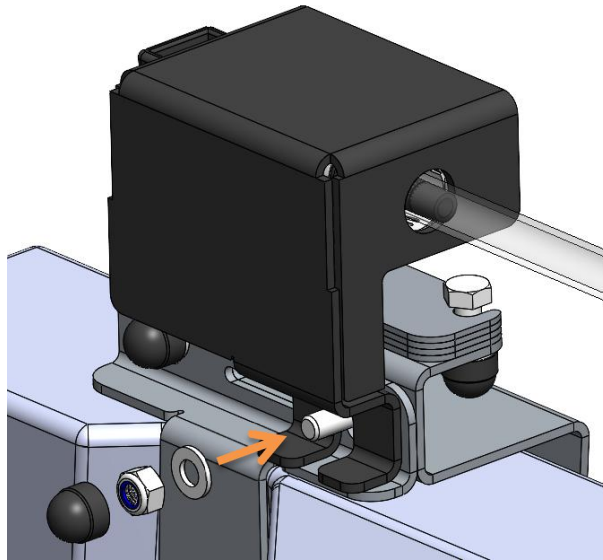
Secure the Top Mounting Down Brackets at the top using 7x M8 Nyloc Nuts. Add 8x M8 Nut Caps to complete the fastener stack ups. (Leave one fastener open, as this will be the Breather Assembly mounting location - The ideal location is indicated with a circle above.)



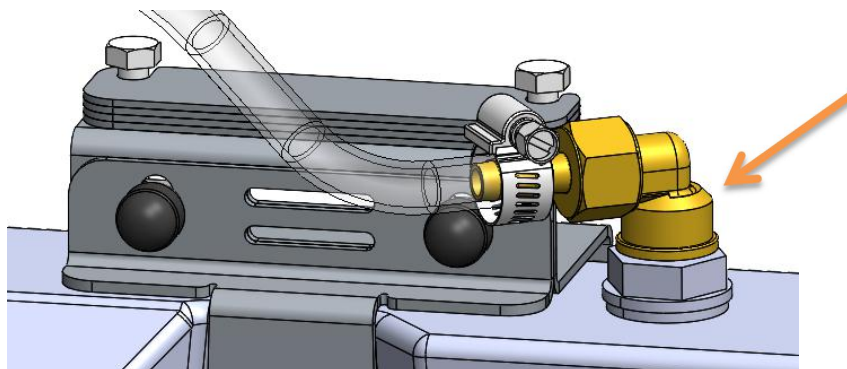
Secure the Top Mounting Down Brackets at the bottom using 8x M8 Flat Washers and 8x M8 Nyloc Nuts as shown above. Add 8x M8 Nut Caps to complete the fastener stack ups.

## 2.5 Breather Assembly

The next step to install the Canopy Camper Water Tank Kit is to fit the Breather assembly:



Place the Breather Assembly in the desired location, and secure in place, using the fastener stack up indicated in the image above. (M8 Flat Washer, M8 Nyloc Nut & M8 Nut Cap)

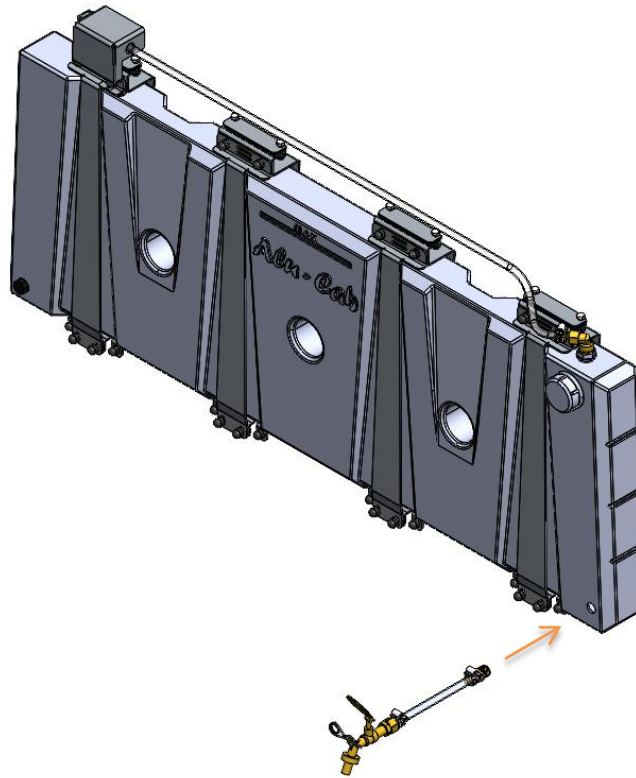


Connect the 90 Degree Elbow to the outlet fitting on the Tank Assembly, as shown in the image above. Ensure to add Thread Tape to the interface between the two fittings.



## 2.6 Water Tank Tap Assembly

The last step to install the Canopy Camper Water Tank Kit is to fit the Tap Assembly:



Add thread tape to the Male threaded hose fitting on the Tap Assembly and screw it into the desired Outlet on the Water Tank. Next, using your Drill, drill a 20mm hole in the desired location for your Tap, unscrew the Tap from its hose connector and screw it back through the drilled hole, sealing with thread tape or thread sealant. A 3m length of hose has been supplied to access most applicable locations for your tap mounting location.

The image below shows an example of a rear mounted tap assembly, where the hole has been drilled through one of the rear filler panels:

